



X5 Model

240 V | 30 A | 7.2 kW

With its sturdy construction, refined design and proven reliability, FLO Home brings you the best in residential EV charging.



Connected

Track your data usage, access smart features like Charging Schedule and experience real time charging with the FLO app



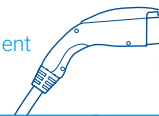
Future-Proof

Automatic software update and easy addition of a 2nd X5 on the same breaker



Quality Cable and Connector

25' commercial grade cable that ensures resilient flexibility



High quality universal connector built to last 10 years +
Connector style may vary.

Robust Casing

Made of 100% aluminum with a highly resistant finish



Built-in Security

Safe for your electric vehicle and your home



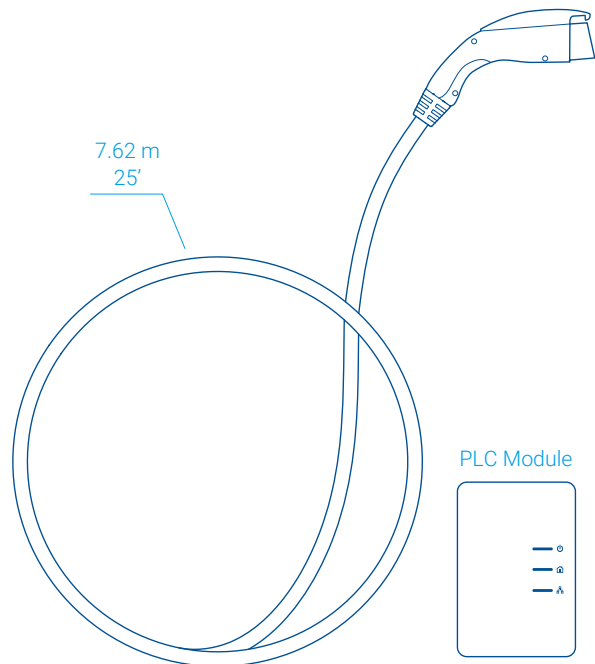
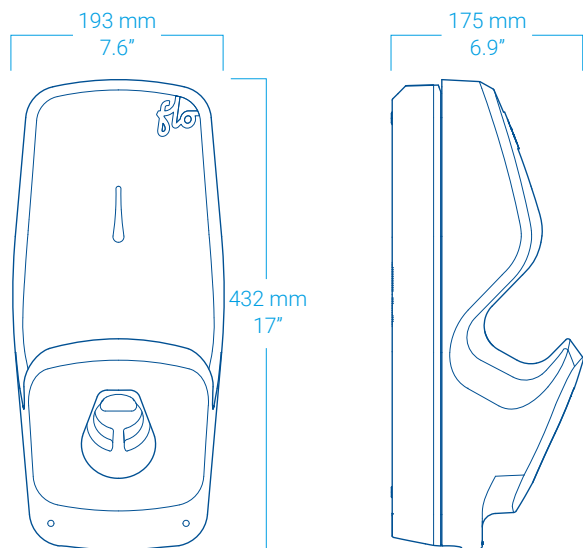
5-Year Limited Warranty



Meets applicable UL safety standards. Certified by CSA Group, a Nationally Recognized Testing Laboratory (NRTL).

Technical Specifications

X5 Model



Type

Level 2 Charging Station

Casing

100% aluminum
NEMA 4X certified
Designed for outdoor or indoor installation

Finish

Carbon and Tungsten with high resistance coating

Power Sharing

Included

Charging Schedule

Included

Voltage

208 - 240 V @ 60 Hz

Charging Power

6.2 - 7.2 kW

Cable

7.62 m / 25'
Commercial grade cable

Charging Connector

SAE J1772™ designed to withstand 10,000+ charging cycles

Wall Bracket

Included

Certification



Security Features

Integrated GFCI 20 mA, 3 reset attempts at 15-minute intervals

Operating Temperature

-40 °C to 50 °C
-40 °F to 122 °F

Installation

Hardwired installation or plug available
NEMA 6-50 plug included in the box
Must be installed by a qualified electrician

Weight

11.23 kg / 24.76 lb

Communication Interface

"HomePlug" power-line communication
*PLC module included

Limited Warranty

5 years

Model Number

FLO HOME X5 Tungsten:
FH-1-STA-X5-HI5T-FL1
FLO HOME X5 Carbon:
FH-1-STA-X5-HI5C-FL1

Conformity



CAN ICES-3 (B)/NMB-3(B)
In conformity with
IC: NMB - 006



Learn more
info@flo.com
1 855 543-8356

[flo.com](https://www.flo.com)