



CoRe+ MaxTM

Pedestal and Cable Management System Installation Guide



Table of Contents

1. Introduction	4
2. Safety and Maintenance Instructions	4
2.1. Safety Symbols on your Unit.....	5
2.2. Instructions Pertaining to the Risk of Fire or Electric Shock	6
2.3. Important General Safety Instructions	6
2.4. Site Preparation Considerations prior to Installation	6
2.5. Safety and Maintenance for the Pedestal and Cable Management System Installation	7
3. Pedestal Specifications	8
3.1. Pedestal	8
3.1.1. Specifications	8
3.1.2. Dimensions	9
3.2. Pedestal Anchor	10
3.2.1. Anchor Specifications	10
3.2.2. Concrete Base Specifications	10
3.3. Installation	12
3.3.1. Cascading Single Station Pedestals	12
3.3.2. Cascading Dual Side-by-Side Station Pedestals	12
3.3.3. Cascading Back-to-Back Station Pedestals – Charging Stations on Front and Back	13
3.3.4. Cascading Back-to-Back Station Pedestals – Charging Stations on the Sides.....	13
3.4. Cascading Kit	14
3.4.1. Cascading Kit Mounting Bracket.....	14
3.4.2. Cascading Kit Breaker Locks	16
4. Installing a Cascading Kit on a 250 A Circuit.....	17
5. Installing the Pedestal and Charging Station	18
6. Installing the Cable Management System.....	20
6.1. Wall-Mounted Charging Station Installation.....	20
6.1.1. Required Material	21
6.1.2. Before Getting Started	22
6.1.3. Installing a Cable Management System	25
6.2. Single Charging Station Installation.....	27

6.2.1. Required Material.....	28
6.2.2. Before Getting Started.....	29
6.2.3. Cable Management System Installation.....	30
6.3. Dual Back-to-Back Charging Station Installation	31
6.3.1. Required Material.....	31
6.3.2. Before Getting Started.....	32
6.3.3. Installing the Back-to-Back Cable Management System.....	33
6.4. Dual Side-by-Side Charging Station Installation	34
6.4.1. Required Material.....	34
6.4.2. Before Getting Started.....	35
6.4.3. Installing the Cable Management System and Supports.....	36
7. Positioning the Cable Clamp.....	40
8. Poster Panel Installation.....	42
8.1. Required Material.....	43
8.2. Positioning the Poster Panel.....	44
9. Electrical Circuits on Different Configurations	47
9.1. One or Two Devices on Separate Electrical Circuits.....	47
9.2. Multiple Pedestals, Multiple Devices on Separate Electrical Circuits	48
9.3. Multiple Pedestals, Multiple Devices Sharing the Same Electrical Circuit, but with a Circuit Breaker for each Device	49
10. Servicing the Charging Station	50
10.1. 250 A Circuit	50
11. Copyright and Liability Information	51

1. Introduction

This guide describes the pedestal installation and how to install a Cable Management System (CMS) on a new charging station or a charging station that has already been installed on the pedestal.

Refer to the *Pedestal* section (*section 3.1.*) for more information about the pedestal.

The cable management system is reliable, made from aluminum, and convenient to use. It is maintenance-free and keeps the charging cables safely off the ground.

The instructions have been tailored to each type of installation. There are 4 types of installations:

- The wall-mounted charging station installation
- The single charging station installation
- The dual back-to-back charging station installation
- The dual side-by-side charging station installation

Refer to the appropriate section of this guide according to your desired type of installation.

In addition to instructions, this guide also includes a list of parts for each type of installation, as well as a list of specific tools and equipment required to complete the installation.

2. Safety and Maintenance Instructions


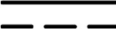



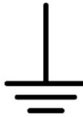

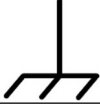

Read all the instructions before using this product.

PLEASE SAVE ALL THE INSTRUCTIONS OF THIS MANUAL.

Refer to the *CoRe+ MAX™ Installation Guide* for your product's complete Safety and Maintenance Instructions.

2.1. Safety Symbols on your Unit

The symbols in the table below may be present on your charging station and in this guide. Please refer to the table below for information on the symbols:

Symbol	Description
	Alternating current
	Continuous current
	Phase
	CAUTION: This symbol is used to provide awareness of important safety information in these instructions
	WARNING: This symbol is used to provide warning of hazardous voltage and possibility of electric shock
	Earth "ground" terminal
	Protective (earth) ground Class 1
	Chassis
	Hot surface

2.2. Instructions Pertaining to the Risk of Fire or Electric Shock



WARNING: When using electric products, basic precautions should always be followed, including the following. This manual contains important instructions for the CoRe+ MAX models that must be followed during the installation, operation, and maintenance of the unit.

2.3. Important General Safety Instructions



CAUTION: Always use a manual screwdriver only; DO NOT use an impact driver for the screws at any time; otherwise, the warranty will be voided.

2.4. Site Preparation Considerations prior to Installation

Prepare the site and the material to follow the requirements below:

- Split phase 120/240 VAC supply or single phase 120/208 VAC
- Both lines must have 120 V between ground.
- The voltage supply must be grounded.
- 2 lines and 1 ground connection are required. Neutral is not used.
- Maximum output power: 19.2 kW @ 240 VAC or 16.6 kW @ 208 VAC
- Built-in protection against overvoltage conditions and leakage current to ground
- Use 90 °C copper wire conductors only.
- Field terminals accept wires between 3 and 14 AWG.

2.5. Safety and Maintenance for the Pedestal and Cable Management System Installation

IMPORTANT SAFETY INSTRUCTIONS – PLEASE DO NOT DISCARD THESE INSTRUCTIONS

Read this section carefully before installing the pedestal.

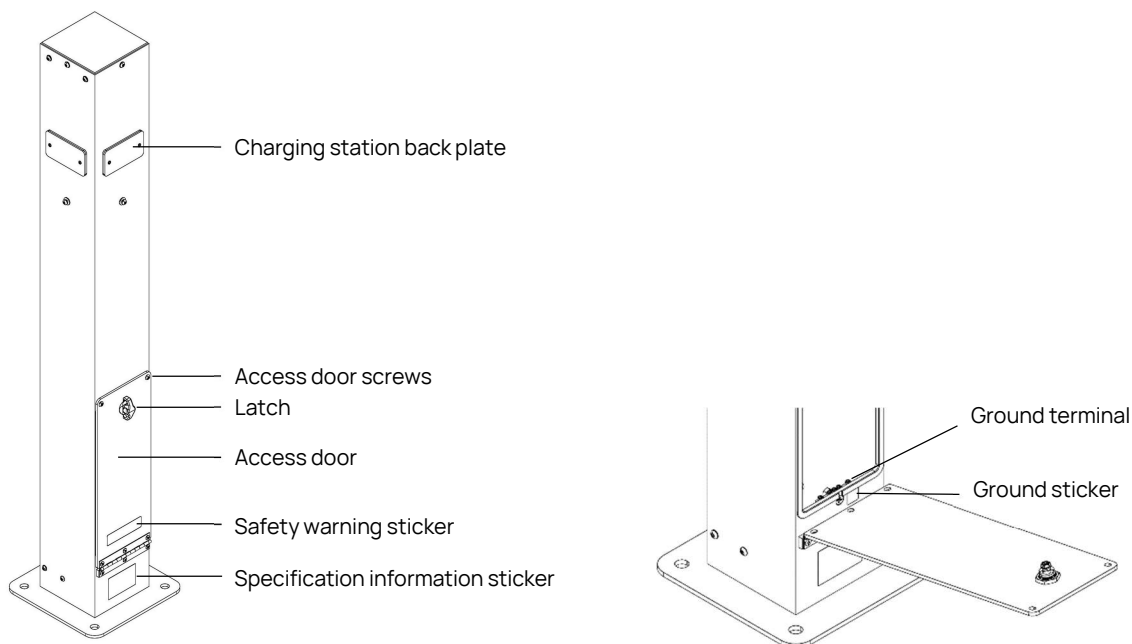
1. This pedestal was designed to be ground-based. It must be mounted on a non-combustible surface.
2. Ensure the safe operation of the pedestal by grounding it. It must be connected to a grounding circuit compliant with local regulations and installed by a certified electrician.
3. Confirm with local authorities that the location where the pedestal will be installed is free from underground pipelines or electric equipment to avoid inflicting serious injuries.
4. Contact a certified contractor, a certified electrician, or a trained installer to ensure compliance with local building codes, regulations, security standards, and weather conditions.
5. This pedestal was designed to meet the requirements of the Americans with Disabilities Act.
6. Handle the parts with care, since they can be sharp-edged. Always use safety glasses and gloves when unpacking and installing the pedestal.
7. Always use proper lifting techniques and wear safety boots during the installation. Some parts are heavy and could cause injuries.

3. Pedestal Specifications

The pedestal is designed to be installed using these components: the pedestal enclosure, a cascading kit (on certain pedestal models), and a pedestal anchor. An optional cable management system is also available.

3.1. Pedestal

The pedestal has an access door latch that can be secured using a padlock (not included).



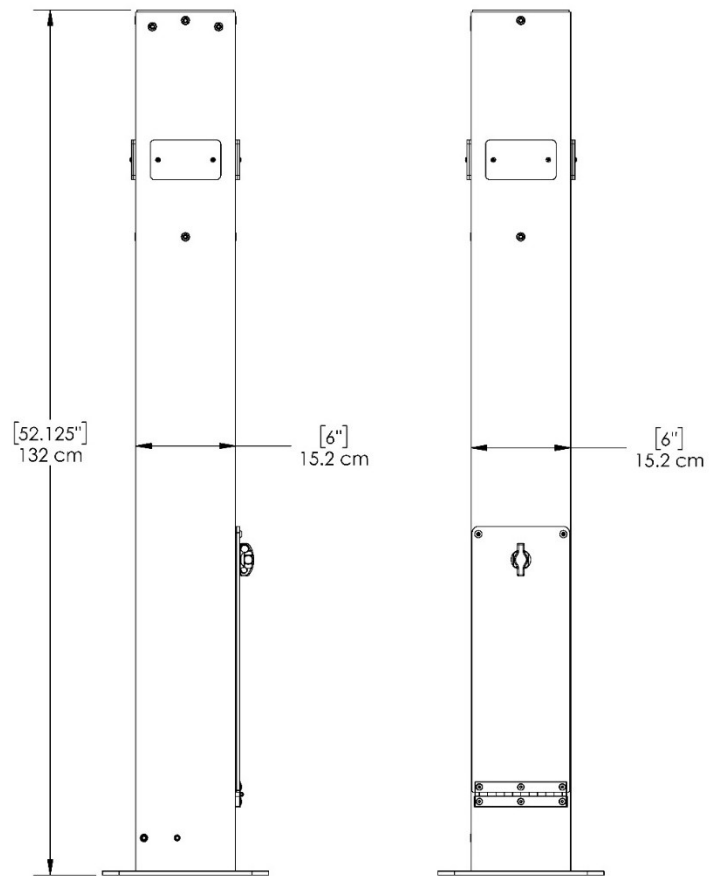
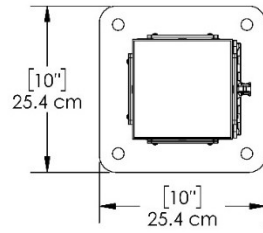
3.1.1. Specifications

The table below displays the pedestal specifications:

Product family	CoRe+ MAX
Model	ACPE000022
Ingress protection rating	3R enclosure type; suitable for outdoor use
Shipping weight	Approximately 25 lbs. not including packaging
Security standard compliance	UL 50E / CSA C22.2 No. 94.2 Enclosures for Electric Equipment, Environmental Considerations

3.1.2. Dimensions

The image below shows the dimensions of the pedestal.

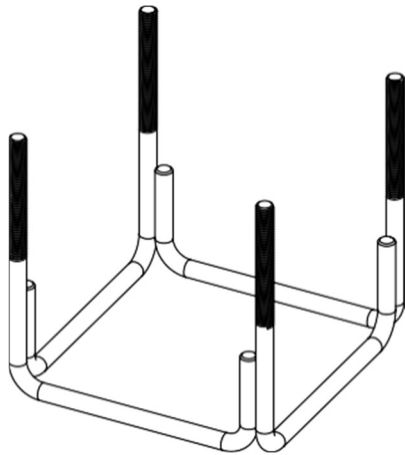


3.2. Pedestal Anchor

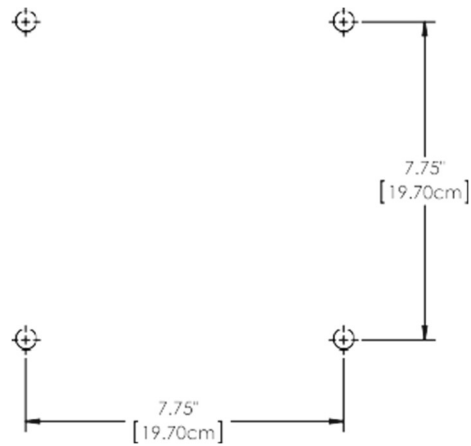
The pedestal is designed to be mounted on a prefabricated anchor with free space in the center that has conduit openings to allow for the passage of the power supply cables. The sections below show the installation details. Certain types of installations may require a concrete base. Refer to the section below for more information.

3.2.1. Anchor Specifications

The installer can use a FLO prefabricated anchor (part number: ACAN0001 or C+V1-ANCHOR) or make their own using 12" long 1/2" threaded rods spaced according to the image below.



Prefabricated anchor



Threaded rod spacing

3.2.2. Concrete Base Specifications

The concrete base can be prefabricated or made on site using a concrete formwork. The dimensions and conduit positioning must be determined based on the environment and layout configuration.

3.2.2.1. Dimensions

The base's height (H), depth in the ground (D), and surface area (A) must be determined according to the soil type and the freeze/thaw specifications of the installation area. Use an appropriate electrical conduit with a maximum diameter of 2" (5.08 cm) to position the electrical cables in the center of the anchor. The pedestal base opening has been sized to accept 2 PVC conduits up to 2" (5.08 cm) in diameter each, whether in side-by-side or back-to-back configuration.

3.2.2.2. Conduit Positioning

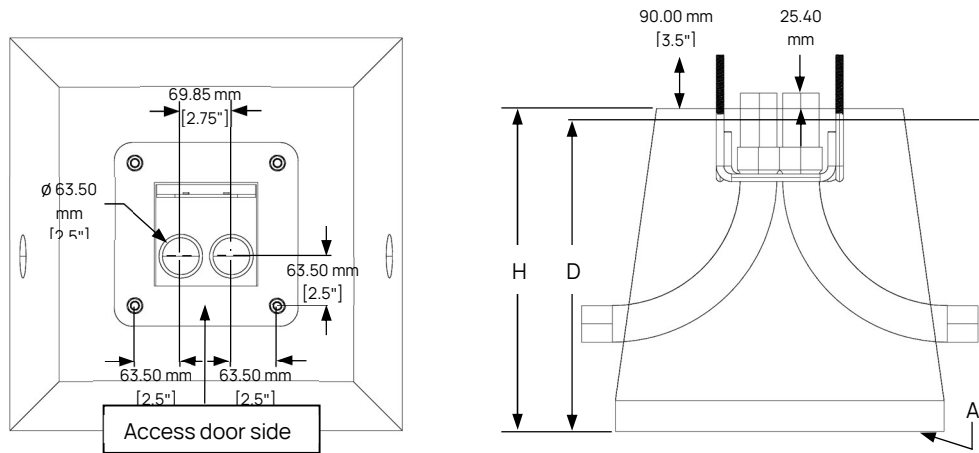
The conduit positioning in the concrete base will vary according to the charging station configuration.

Side-by-Side Conduit Positioning

Use for *Single, Dual Side-by-Side, and Back-to-Back (Stations on Back and Front)* charging station installation (see section 3.3.1. to 3.3.3.).

The conduit positioning should follow the guidelines below:

- The conduits should be off centered toward the door, with the outside of the conduits at a minimum distance of 1.25" (32 mm) from the center of the anchor pins.
- The 2 conduits must be placed side by side and centered between the anchor pins, which are located on each side of the pedestal access door.

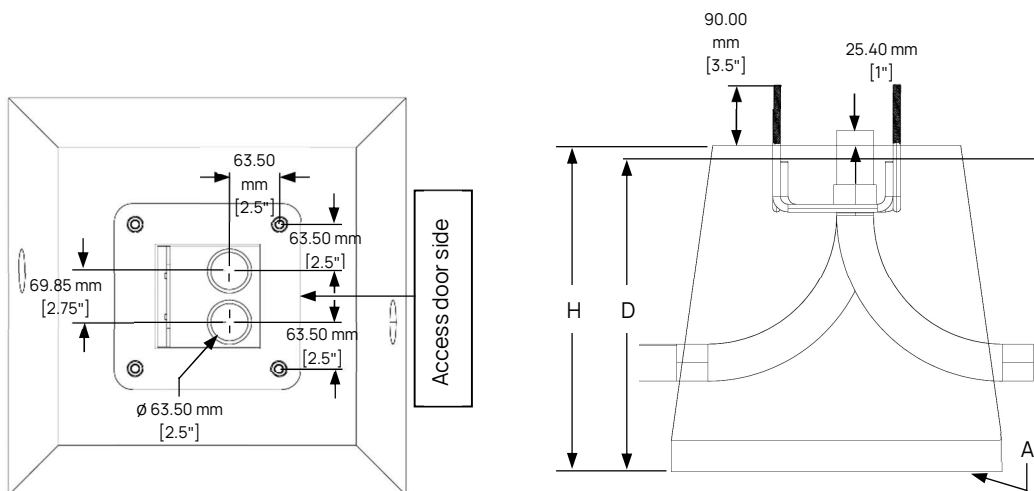


Back-to-Back Conduit Positioning

Use these instructions for the *Back-to-Back (Stations on the Sides)* charging station installation (see section 3.3.4.).

The conduit positioning should follow the guidelines below:

- The conduits should be off centered toward the door, with the outside of the conduits at a minimum distance of 1.25" (32 mm) from the center of the anchor pins.
- The 2 conduits must be placed back-to-back and be centered between the anchor pins, which are located on each side of the pedestal's access door.

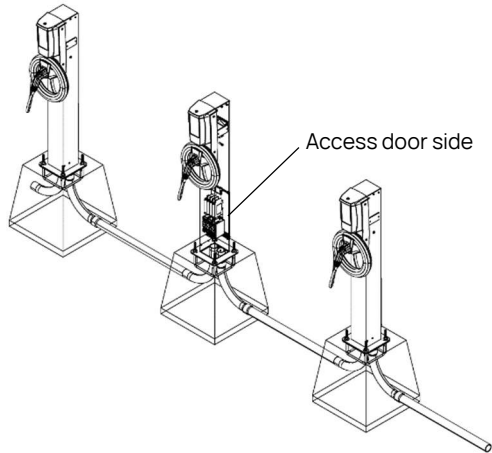


3.3. Installation

The pedestal base and conduit installation vary according to the charging station configurations.

3.3.1. Cascading Single Station Pedestals

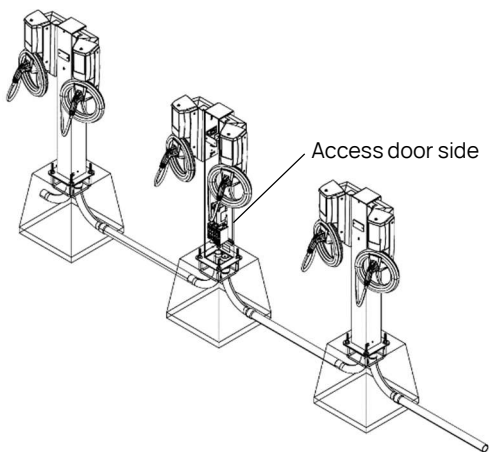
Cascading single station pedestals have the following characteristics:



- When a single charging station head is mounted on a pedestal, it should always be facing the parking space it is serving.
- When the head is facing the parking space, the pedestal access door must be at the back of the charging station.
- To have the access door on the back side of the charging station, the conduit configuration must be side-by-side, as shown.

3.3.2. Cascading Dual Side-by-Side Station Pedestals

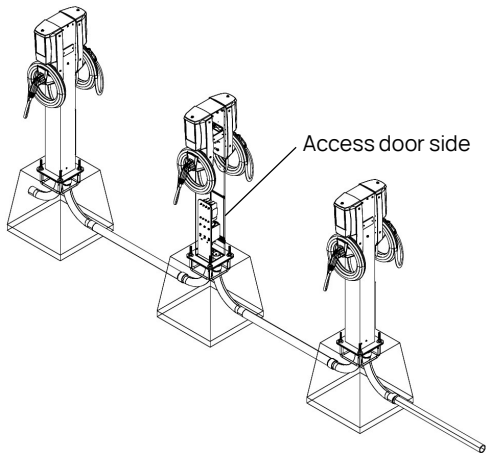
Cascading dual side-by-side station pedestals have the following characteristics:



- When 2 charging station heads are mounted side by side on a pedestal, they should always be facing the parking space they are serving.
- When the heads are facing the parking space, the pedestal access door must be at the back of the charging station.
- To have the access door on the back side of the charging station, the conduit configuration must be side-by-side, as shown.

3.3.3. Cascading Back-to-Back Station Pedestals – Charging Stations on Front and Back

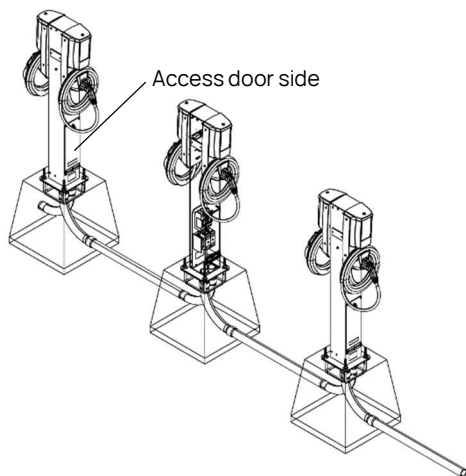
Cascading dual back-to-back station pedestals with charging stations on the front and back have the following characteristics:



- When 2 charging station heads are placed on the front and back of the pedestal, they should be facing the parking space they are serving.
- When the heads are facing the parking space, the pedestal access doors must be placed on the same side as one of the charging stations, facing one of the parking spaces.
- To have the access door on the same side as a charging station, the conduit configuration must be side-by-side, as shown.

3.3.4. Cascading Back-to-Back Station Pedestals – Charging Stations on the Sides

Cascading dual back-to-back station pedestals with charging stations on the sides have the following characteristics:



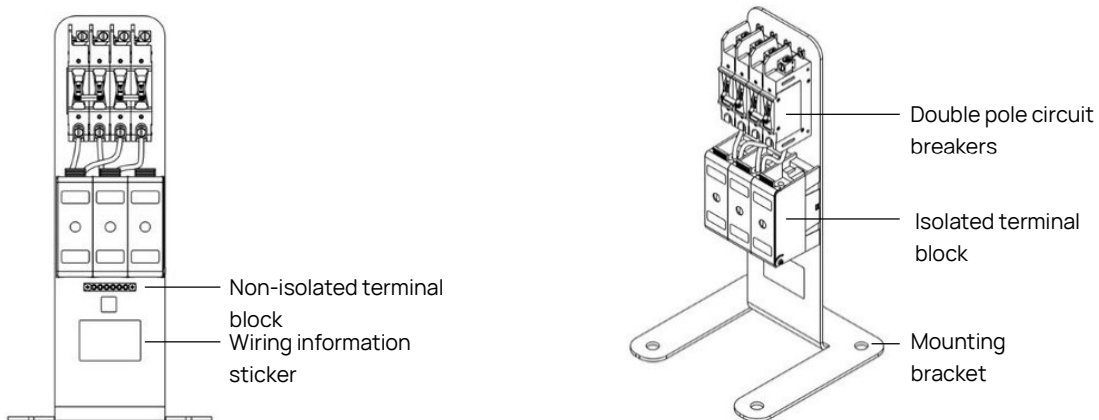
- When the charging station heads are positioned on the side of the pedestal, the pedestal access door must be placed on the same side as a charging station.
- To have the access door on the same side as a charging station, the conduit configuration must be back-to-back, as shown.

3.4. Cascading Kit

The cascading kit allows electricians to connect several charging stations to a single circuit from the main panel. Two versions are available: one without a built-in disconnect device (Pedestals ACPE001040 and ACPE001060) and one where this device is included (Pedestal ACPE00100). In the latter case, the cascading kit has 2 separate assemblies, a pre-assembled mounting bracket, and a breaker lock. The breaker lock allows the breaker to be used as a disconnect device that needs to be locked in the open position while maintenance is being performed on the Electric Vehicle Supply Equipment (EVSE).

3.4.1. Cascading Kit Mounting Bracket

The cascading kit comes pre-assembled on a mounting bracket.



3.4.1.1. Configurations

The pedestals with cascading functionality are available in three configurations as per the table below:

Pedestal	Rating	Description
ACPE001040	40 A	One 3-pole terminal block that can accept up to AWG 4/0 90 °C copper or aluminum conductor and a 40 A double pole circuit breaker
ACPE001060	60 A	One 3-pole terminal block that can accept up to AWG 4/0 90 °C copper or aluminum conductor and a 60 A double pole circuit breaker
ACPE001100	100 A	One 3-pole terminal block that can accept up to AWG 4/0 90 °C copper or aluminum conductor and a 100 A double pole circuit breaker and a breaker lock mechanism.

3.4.1.2. Wiring Information

The wires used for the installation of the cascading kit must have the following characteristics:

- The conductors must be rated at 90 °C or more.
- The conductors must be rated at 300 V or more.
- Use copper or aluminum conductors OR use copper, copper-clad aluminum, or aluminum conductors for terminals evaluated for either copper or aluminum wiring.

3.4.1.3. Wire Connection

The stickers placed on the cascading kit provide connection information.

The table below shows information for the input wire:

Wire Range	Torque
(2) 4/0-3 AWG	150 LB-IN [17 N-M]
(2) 4 AWG	100 LB-IN [11.3 N-M]
(2) 6 AWG	80 LB-IN [9 N-M]

The table below shows information for the breaker outputs:

Wire Range	Torque
14-10 AWG	35 LB-IN [4.0 N-M]
8 AWG	40 LB-IN [4.5 N-M]
6-4 AWG	45 LB-IN [5.1 N-M]
3-1/0 AWG	50 LB-IN [5.7 N-M]

3.4.2. Cascading Kit Breaker Locks

The breaker lock kit (part number ASME0539) is a separate kit to be assembled on the breaker after completing the wire connection.

NOTE that the breaker lock kit is only intended for the 100 A circuit cascading kit configuration (part number ACPE01100). Refer to the section above for more information.

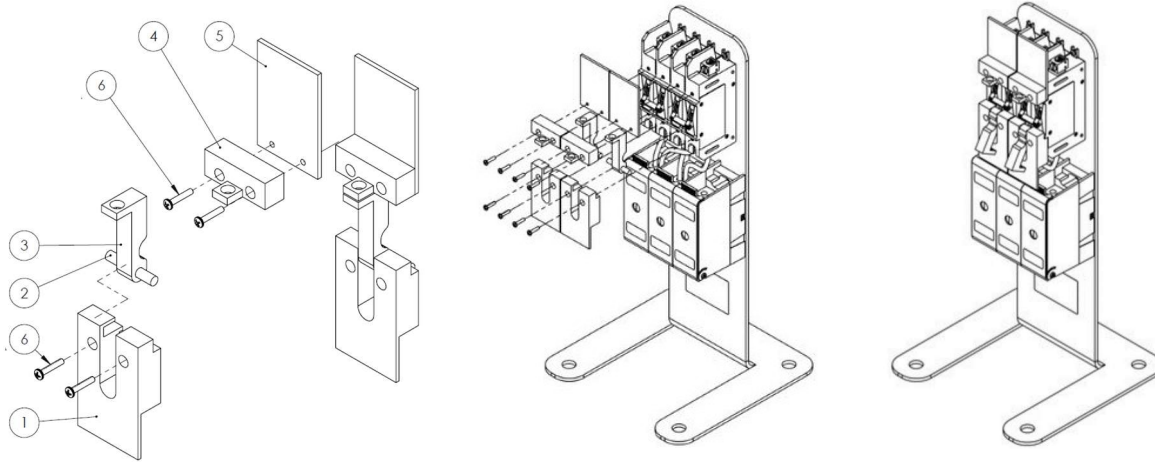


Image Reference Number	Breaker Lock Kit - Included Material	Quantity
1	Breaker lock pivot	2
2	Breaker lock pin	2
3	Breaker lock arm	2
4	Breaker lock stopper	2
5	Breaker lock upper cover	2
6	Breaker lock upper cover 18-8 stainless steel pan head Phillips machine screw, 6-32 thread, 3/4" length (max. torque: 8 LB-IN [0.9 NM])	8

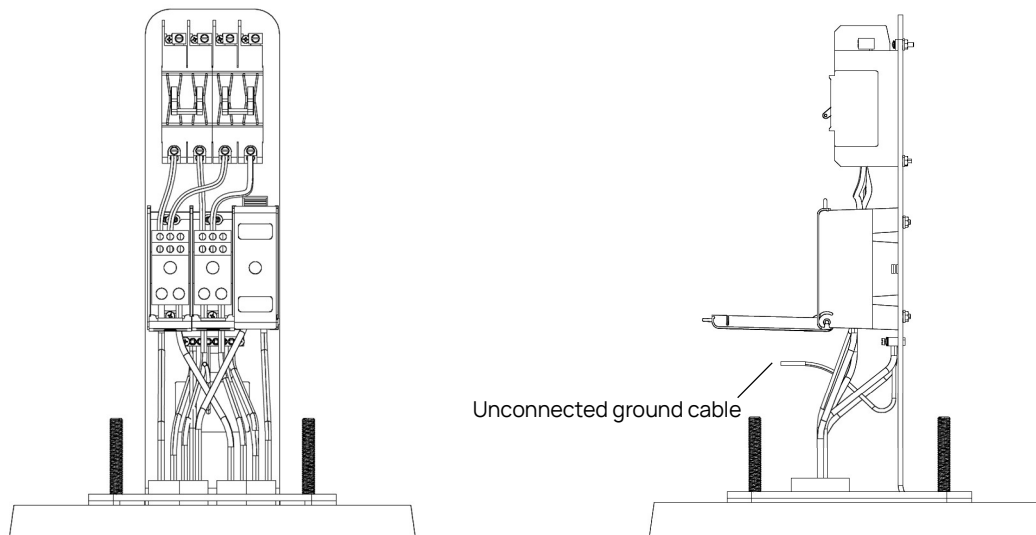
4. Installing a Cascading Kit on a 250 A Circuit

Follow the instructions below to install a cascading kit on a 250 A circuit.

Use the 100 A cascading kit model including a 100 A double pole circuit breaker (part number ACPE001100). Use AWG 4/0 90 °C copper or aluminum conductors for the installation. Refer to the *Electrical Circuits on Different Configurations* section for more information about the circuit configurations.

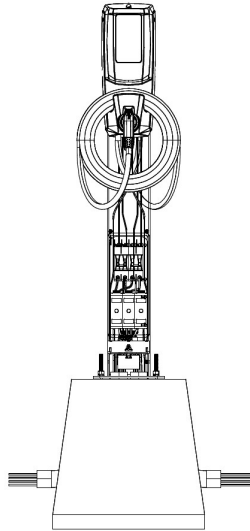
1. Install the power supply cables coming from the previous charging station and the power supply cable going to the next one, letting 1 foot (30 cm) of cable protrude from the conduit.
2. Place the cascading kit mounting bracket on the concrete base, ensuring that the anchor's threaded rods pass through the 4 holes in the base of the bracket.
3. Connect the power supply cables to the bottom of the terminal blocks. See the *Electrical Circuits on Different Configurations* section (*section 9.*) for more information.
4. Connect the ground cables from the circuit to the non-isolated (ground) terminal.
5. Connect another ground cable to the non-isolated (ground) terminal and leave the other end unconnected. Make sure it is long enough to be connected to the pedestal ground terminal (see the following steps).

NOTE: Refer to the stickers on the cascading kit mounting bracket for the proper wire connection information.

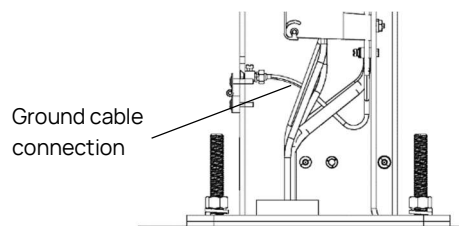


5. Installing the Pedestal and Charging Station

Follow the steps below to install the pedestal and the charging station:



1. Slide the pedestal over the assembly, ensuring that the terminal blocks are facing the access door at the bottom of the pedestal. Tighten the 4 mounting nuts that secure everything to the anchor (max. torque: 36 LB-FT [50 N-M]).
2. Connect the ground cable from the non-isolated (ground) terminal on the cascading station to the pedestal ground terminal.



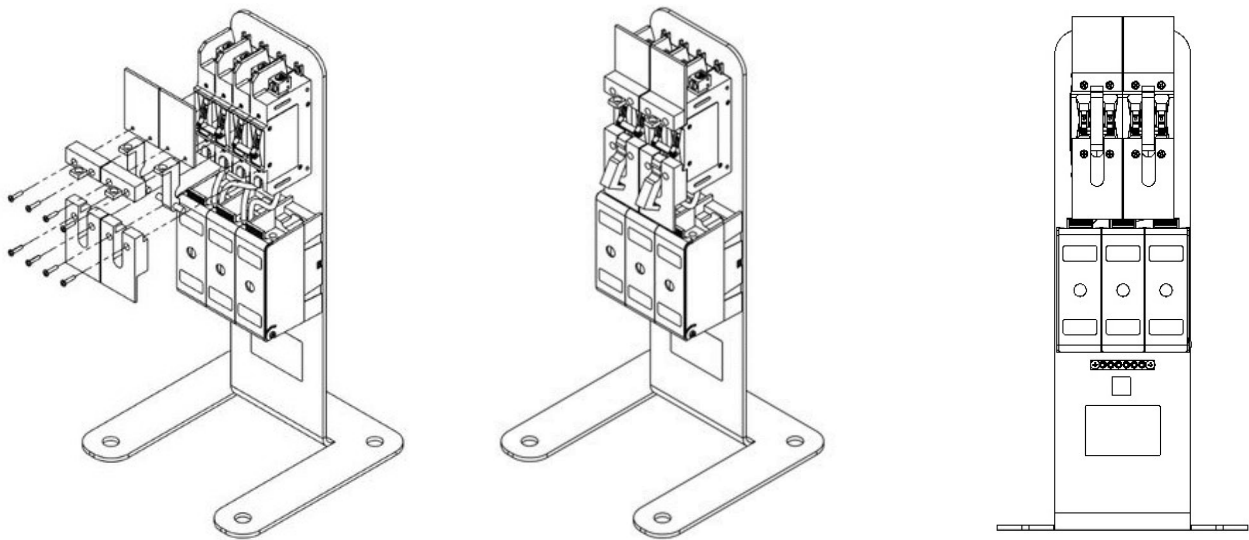
3. Unscrew and remove the back plate(s) from the top of the pedestal, depending on the number and location of the charging stations to be installed.
4. Pass the power supply wires, 2 lines, and 1 ground connector from each rectangular hole at the top of the pedestal down to the breakers.

NOTE that if you have a side-by-side installation, you must ensure that you have completed the charger mount installation before you start the wiring.

5. Connect the wires that will be used to connect the charging stations to their respective breakers, being careful to keep the phases balanced (in the case of a tri-phase supply). Connect the ground wires to the non-isolated (ground) terminal.

NOTE: Refer to the stickers on the cascading kit mounting bracket for the proper wire connection information.

6. Install the breaker locks on the 100 A breakers of the cascading kit (part number ACPE001100). Follow the steps below. Refer to the *Cascading Kit Breaker Locks* section (section 3.4.2.) if necessary.
 - i. Place the breaker lock pin inside the breaker lock arm hole.
 - ii. Place the pin on the breaker lock pivot notch.
 - iii. Fix the breaker lock pivot to the double pole circuit breakers using the 2 screws provided (max. torque: 8 LB-IN [0.9 NM]), making sure the pin stays between the notch and the breaker.
 - iv. Place the breaker lock stopper against the upper stopper and fix them on the double pole circuit breaker using the 2 screws provided (max. torque: 8 LB-IN [0.9 NM]).
 - v. Repeat steps 1–4 for the second breaker lock.



7. Install each charging station on the pedestal as per the CoRe+ MAX Installation Guide.
8. Close the pedestal access door.
9. Secure the access door according to regulations either by:
 - i. Placing a padlock (not included) on the door latch opening.
 - ii. Tightening the 2 tamper-resistant hex drive screws on the top of the access door.

NOTE: When using a padlock to secure the access door, the thumb screws can be used instead of the tamper-resistant hex drive screws.

6. Installing the Cable Management System

The cable management system can be installed on the following configurations:

- The wall-mounted charging station installation
- The single charging station installation
- The dual back-to-back charging station installation
- The dual side-by-side charging station installation

Depending on the configuration, some provided parts might not be used.

6.1. Wall-Mounted Charging Station Installation

The section below contains information and instructions on how to install a cable management system on a wall-mounted Electric Vehicle (EV) charger installation.

6.1.1. Required Material

The table below describes the material included with the EV charger. Use the number in the table to refer to the material in the image.

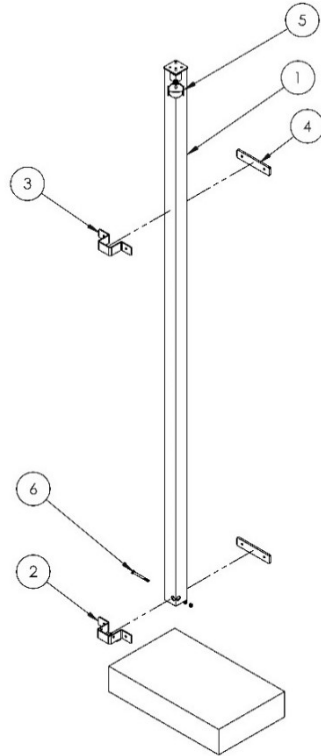


Image Reference Number	Included Material	Quantity
1	Wall-mounted cable management system columns and cable clamp	1
2	Lower wall mount bracket	1
3	Upper wall mount bracket	1
4	Spacing shim	2
5	Self-adhesive rubber band	1
6	1/4-20 x 2 3/4 screw, 1/4-20 bolt and split lock washer (max. torque: 80 LB-IN [9.0 N-M])	1 each

6.1.1.1. Additional Material or Tools Required

Wall attachment hardware: 1/4" diameter screw, washers, and wall anchors, as required.

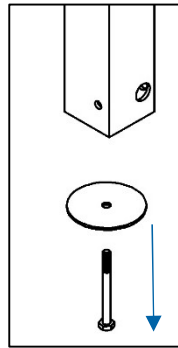
6.1.2. Before Getting Started

Before getting started, follow the steps below:



CAUTION: Before getting started, cut off the current to prevent an electric shock.

1. Make sure to remove the security screw used to hold the counterweight during transport when unpacking the cable management system.



2. Install a cable management system on a new station OR install a cable management system on an existing station by following the steps below:

6.1.2.1. Before Installing a Cable Management System on a New Wall-Mounted Charging Station

1. First, install the charging station. Refer to the *Installing the Pedestal and Charging Station* section (section 5.) above and the *CoRe+ MAX™ Installation Guide*, as needed. Then, install the cable management system as indicated in the *Installing a Cable Management System* section below.

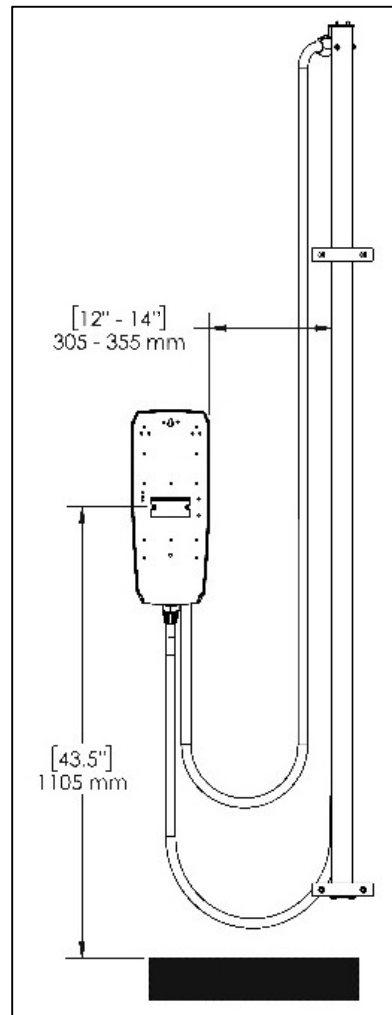
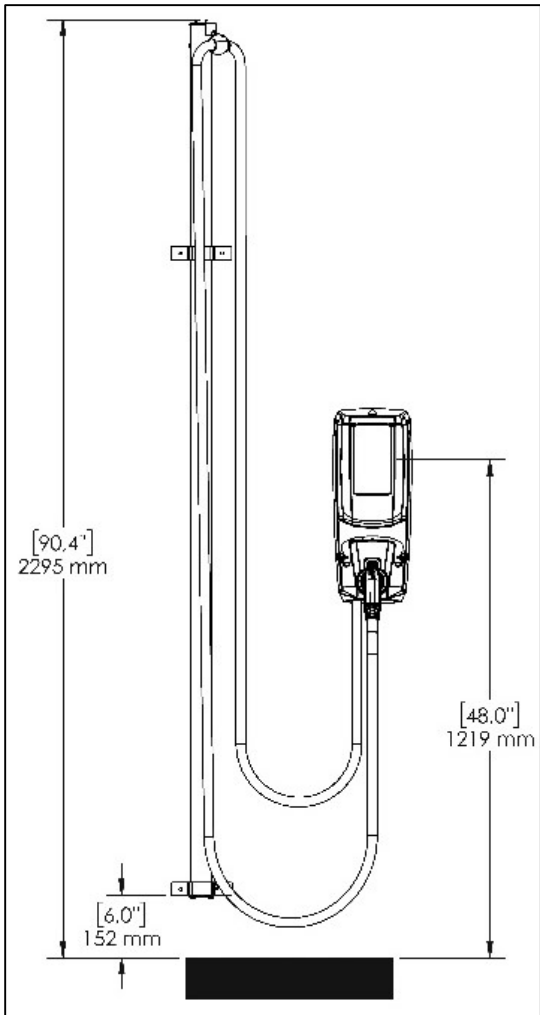
OR

6.1.2.2. Before Installing a Cable Management System on an Existing Wall-Mounted Charging Station

1. Install the cable management system as indicated in the *Installing a Cable Management System* section (section 6.1.3.) below.
2. Determine where the wall mount (column) will be placed. Leave 12" to 14" (30.48 cm to 35.56 cm) between the column and the charging station. See the product measurements in the section below.
3. Determine the required wall attachment hardware (wall anchors, screws, and washers) to securely attach the mount brackets to the wall. Use ¼" diameter screws and anchors of the appropriate size if the screws cannot be secured directly to a wall stud.

RECOMMENDATION: Install the column at least 6" (15.24 cm) from the ground to allow enough clearance to facilitate floor cleaning. The upper wall mount bracket should be installed at least 60" (152.4 cm) above the lower wall mount bracket.

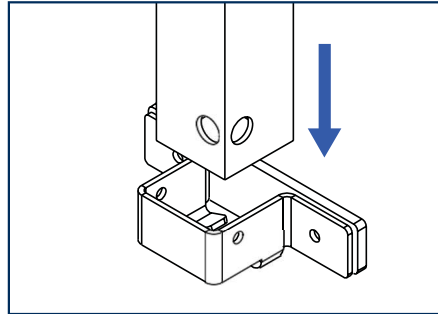
Measurements for the CoRe+ MAX on a Wall-Mounted Installation



6.1.3. Installing a Cable Management System

Follow the steps below to install the cable management system:

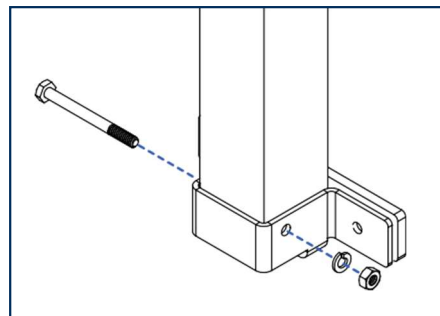
1. Install 1 of the 2 spacing shims and the lower wall mount bracket at the desired height by using two ¼” diameter screws and the appropriate washers. Make sure that both brackets are levelled horizontally.



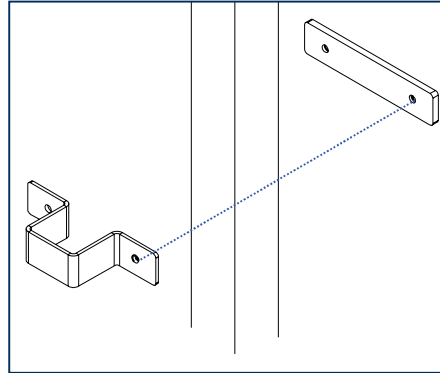
2. Sit the column in the lower wall mount bracket.

NOTE: Make sure to position the cable management system's cable clamp on the correct side—that is, on the right or left, depending on where the charging station is located.

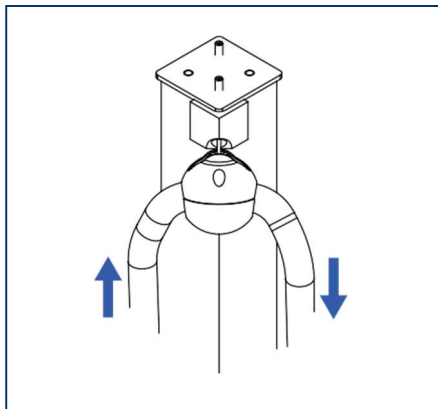
3. Secure the column by installing the screw and bolt in the lower wall mount bracket through the pre-drilled holes with a ratchet wrench and an axel nut socket (the security screw that was used to hold the counterweight).



4. Install the top bracket and the rectangular spacing shim while inserting the column between the parts. Once you ensure that the bracket is flush with the plate and the assembly is level, secure it with the appropriate screws (according to the wall type).

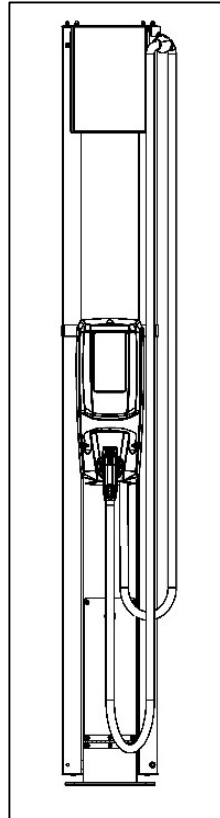


5. Verify the column's angle with a level.
6. Position the cable clamp. Refer to the *Positioning the Cable Clamp* section (*section 7.*) for more information.
7. Pull on the cable management system's cable a few times to ensure that all the parts are moving freely.



6.2. Single Charging Station Installation

The section below contains information and instructions on how to install a cable management system on a single electric vehicle (EV) charging station installation.



6.2.1. Required Material

The table below describes the material included with the EV charger. Use the number in the table to refer to the material in the image.

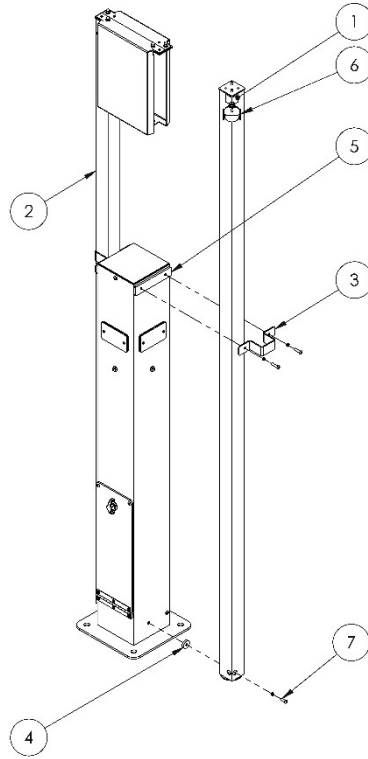
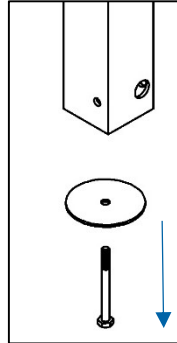


Image Reference Number	Included Material	Quantity
1	Cable management system columns and cable clamp	1
2	Empty column	1
3	Column mount bracket	2
4	Round spacing shims	2
5	Rectangular spacing shims	2
6	Self-adhesive rubber band	1
7	1/4-20 screws (1") (max. torque: 90 LB-IN [10.0 N-M])	6

6.2.2. Before Getting Started

1. Make sure to remove the security screw used to hold the counterweight during transport when unpacking the Cable Management System (CMS).



2. Install a cable management system on a new station OR install a cable management system on an existing station by following the steps below:

6.2.2.1. Before Installing a Cable Management System on a New Single Charging Station

1. First, install the pedestal and the charging station. Refer to the Installing the Pedestal and Charging Station section for more information and the *CoRe+ MAX™ Installation Guide* as needed.
2. Then, install the cable management system as indicated below. Use the ¼-20 screws provided in the package.

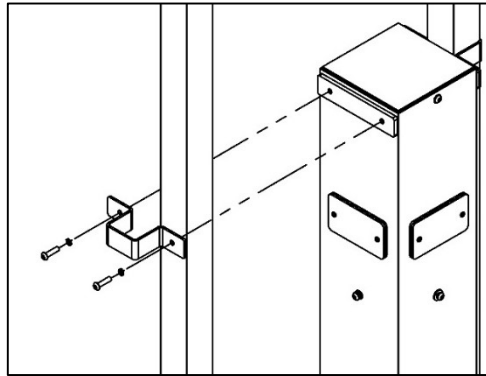
OR

6.2.2.2. Before Installing a Cable Management System on an Existing Single Charging Station

1. Install the mount bracket for the column with the cable management system and the empty column.

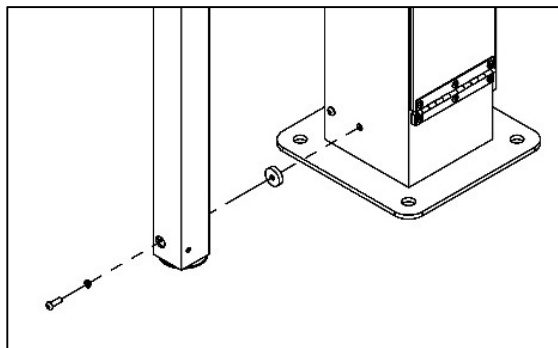
6.2.3. Cable Management System Installation

1. Install the rectangular spacing shim, place the column, then install the upper mount bracket on top. Screw the parts together loosely with ¼-20 screws or self-drilling screws. The cable management system column is held in place but still moves freely to allow the lower mounting hardware to be installed.



RECOMMENDATION: To position the column, when standing in front of the charging station, make sure to place the output of the cable management system on the exterior side of the pedestal.

2. Secure the cable management system column by placing the round spacing shim between the pedestal and the column and tightening the screws to firmly secure the column.



3. Secure the top bracket by tightening the screws.
4. Install the empty column on the opposite side of the charging station by following steps 1 to 3 above.
5. Proceed with the positioning of the cable clamp. Refer to the *Positioning the Cable Clamp* section (section 7.).
6. Install the poster panel. Refer to the *Positioning the Poster Panel* section (section 8.2.).



CAUTION: This pedestal is certified as an electrical enclosure, and any alteration must comply with local regulations.

6.3. Dual Back-to-Back Charging Station Installation

The section below contains information and instructions on how to install the cable management system on a back-to-back Electric Vehicle (EV) charging station installation.

6.3.1. Required Material

The table below describes the material included with the EV charger. Use the number in the table to refer to the material in the image.

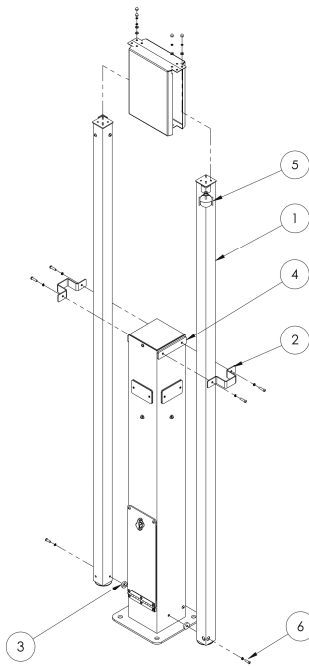


Image Reference Number	Included Material	Quantity
1	Cable management system columns and cable clamp	2
2	Top mounting brackets	2
3	Round spacing shims	2
4	Rectangular spacing shims	2
5	Self-adhesive rubber band	2
6	¼-20 screws (1") (max. torque: 90 LB-IN [10.0 N-M])	6

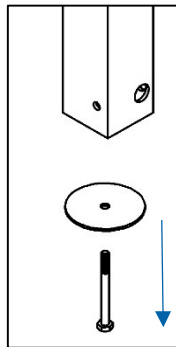
6.3.2. Before Getting Started

Follow the steps below before getting started:



CAUTION: Before getting started, cut off the current to prevent an electric shock.

1. Make sure to remove the security screw used to hold the counterweight during transport when unpacking the cable management system.



2. Install a cable management system on a new station OR install a cable management system on an existing station by following the steps below:

6.3.2.1. Before Installing a Cable Management System on a New Back-to-Back Charging Station

1. First, install the pedestal and charging station. Refer to the *Installing the Pedestal and Charging Station* section (*section 5.*) of this guide for more information and the *CoRe+ MAX™ Installation Guide* as needed.
2. Then, prepare the installation material for the cable management systems and follow the instructions in the *Installing the Back-to-Back Cable Management System* section below.

OR

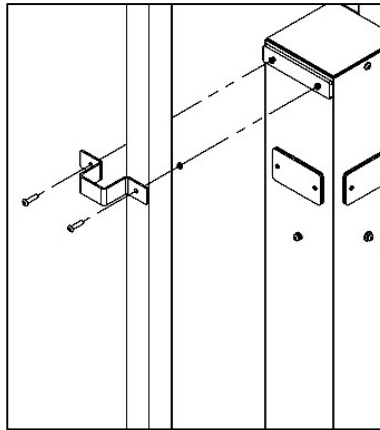
6.3.2.2. Before Installing a Cable Management System on an Existing Back-to-Back Charging Station

1. Prepare the installation material for the back-to-back charging station mount brackets and cable management systems and follow the instructions below.

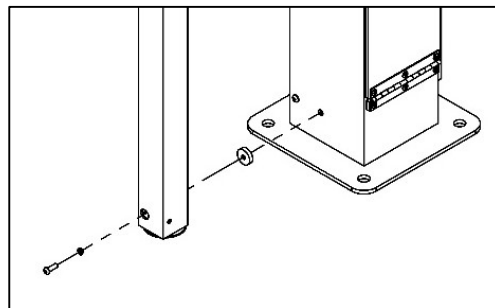
6.3.3. Installing the Back-to-Back Cable Management System

1. Install the rectangular spacing shim, place the column, then install the upper mount bracket on top. Screw the parts together loosely with ¼-20 screws so that the cable management system column is held in place but still moves freely to allow the lower mounting hardware to be installed.

RECOMMENDATION: To position the column, when standing in front of the charging station, make sure to place the output of the cable management system on the outside of the column.



2. Secure the cable management system column by placing the round spacing shim on the column and tightening the screws to firmly secure the column.



3. Secure the top bracket.
4. Install the empty column on the opposite side of the charging station by following steps 1 to 3 above.
5. Proceed with the positioning of the cable clamp. Refer to the *Positioning the Cable Clamp* section (section 7.).
6. Install the poster panel. Refer to the *Positioning the Poster Panel* section (section 8.2.).



CAUTION: This pedestal is certified as an electrical enclosure, and any alteration must comply with local regulations.

6.4. Dual Side-by-Side Charging Station Installation

The section below contains information and instructions on how to complete a dual side-by-side Electric Vehicle (EV) charging station installation.

6.4.1. Required Material

The table below describes the material included with the EV charger. Use the number in the table to refer to the material in the image.

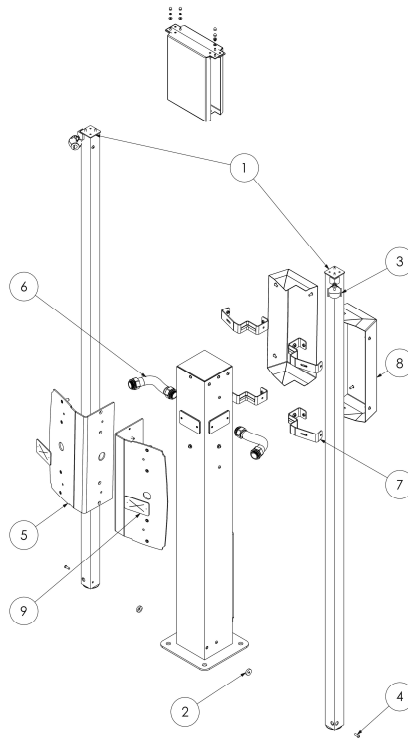


Image Reference Number	Included Material	Quantity
1	Cable management system columns and cable clamp	2
2	Round spacing shims	2
3	Self-adhesive rubber band	2
4	1/4-20 screws (1") (max. torque: 90 LB-IN [10.0 N-M])	2
5	Charging station mount brackets (V-shaped mount) and 1/4-20 screws (max. torque: 90 LB-IN [10.0 N-M])	2
6	Flexible tube	2
7	Column mount brackets, 1/4-20 nuts, and washers (max. torque: 45 LB-IN [5.0 N-M])	4
8	Back cover and screws (max. torque: 90 LB-IN [10.0 N-M])	2
9	Gasket	2

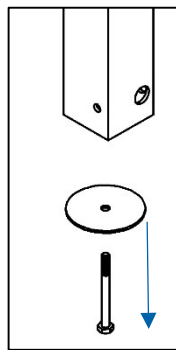
6.4.2. Before Getting Started

Follow the steps below before getting started:



CAUTION: Before getting started, cut off the current to prevent an electric shock.

1. Make sure to remove the security screw used to hold the counterweight during transport when unpacking the cable management system.



2. Install a cable management system on a new station OR install a cable management system on an existing station by following the steps below:

6.4.2.1. Before Installing a Cable Management System on a New Side-by-Side Charging Station Installation

1. First, install the pedestal and charging station. Refer to the *Installing the Pedestal and Charging Station* section (section 5.) for more information and the *CoRe+ MAX™ Installation Guide* as needed.
2. Then, prepare the installation material for the side-by-side charging station mount brackets and cable management systems and follow the instructions in the *Installing the Cable Management System and Supports* section (section 6.4.3.) below.



CAUTION: Before getting started, cut off the current to prevent an electric shock.

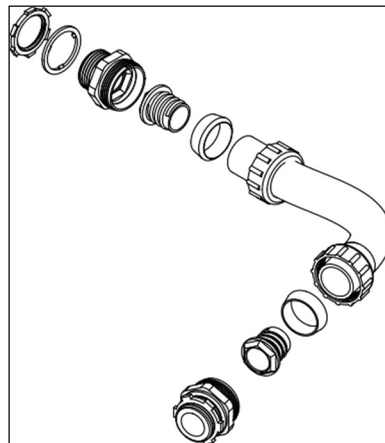
OR

6.4.2.2. Before Installing a Cable Management System on an Existing Side-by-Side Charging Station Installation

1. Prepare the installation material for the side-by-side charging station mount brackets and cable management systems and follow the instructions below.

6.4.3. Installing the Cable Management System and Supports

1. Assemble the flexible tube.



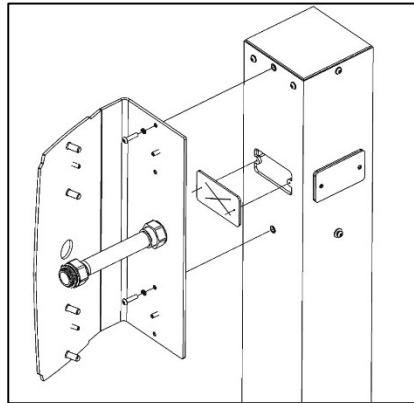
2. Remove the plate allowing you to access the electrical wires at the bottom of the pedestal and leave 10" (30 cm) of extra wiring to connect the charging station once the flexible tube has been installed.
3. Screw the end of the flexible tube to the charging station mounting bracketing on the pedestal side.
4. Pass the wires through the flexible tube.
5. Screw the first charging station mount bracket to the pedestal.



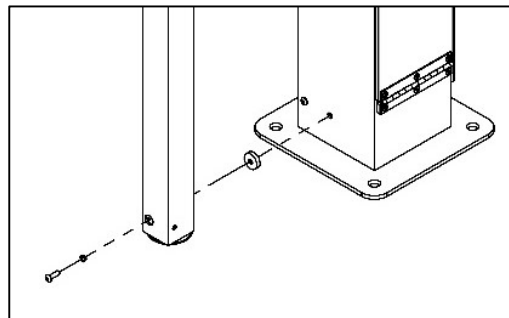
CAUTION: This pedestal is certified as an electrical enclosure, and any alteration must comply with local regulations.

- Place the cable management system column inside the charging station mount bracket. Position it tightly in the corner.

RECOMMENDATION: To position the column, stand in front of the charging station and place the output (cable clamp) of the cable management system on the exterior side. Insert a gasket between the pedestal and the back cover.



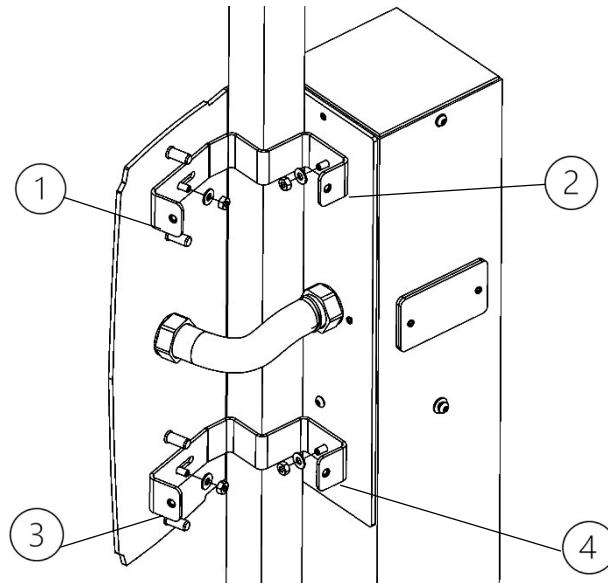
- Screw the bottom column of the cable management system by placing the round spacing shim between the pedestal and the column and firmly tightening the screws to secure the column.



- Insert the other end of the flexible tube into the hole provided for this purpose and screw the bushing on the exterior of the charging station mount bracket to hold the flexible tube in place.

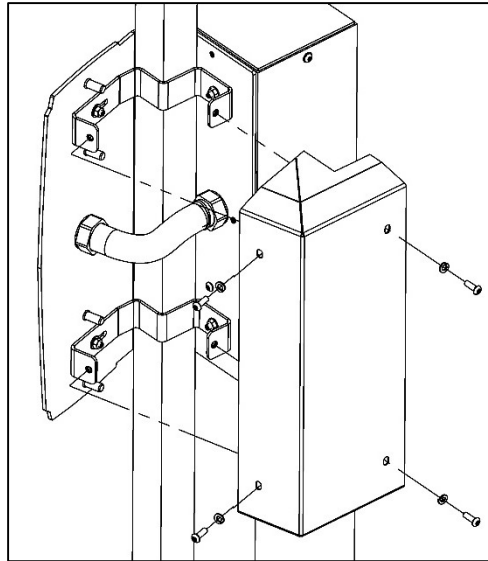
NOTE that this will hold the column during the installation of the bottom column mount brackets.

- Install both column mount brackets starting with the first assembly (1 and 2 on the illustration), then proceed to the second assembly (3 and 4 on the illustration).



NOTE that each column mount bracket has a slot to facilitate its installation. This slot must be placed on the front side of the bracket, in other words on the side where the charging station will be installed. Do not screw the bolts too tightly while placing the brackets so that you can move them easily and position them correctly. Once everything is properly positioned, tighten the bolts.

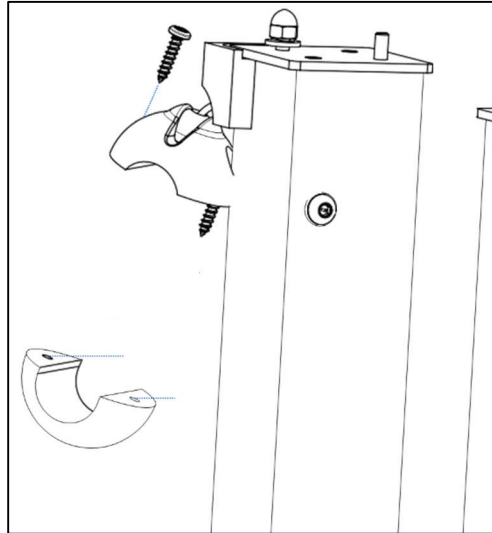
10. Secure the back cover to the column mount brackets with the 4 screws.



11. Install the second column on the opposite side of the charging station by following steps 1 to 10 above.
12. Install or reinstall the charging stations. Refer to the *Installing the Pedestal and Charging Station section (section 5.)* and the *CoRe+MAX™ Installation Guide* as needed.
13. Position the cable clamp. Refer to the *Positioning the Cable Clamp section (section 7.)*.
14. Install the poster panel. Refer to the *Poster Panel Installation section (section 8.)*.

7. Positioning the Cable Clamp

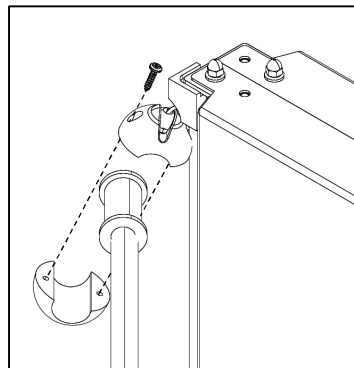
Follow the steps below to position the cable clamp:



1. Pull on the cable management system cable to hold the cable clamp in your hand.
2. Remove the Phillips screws.
3. Plan to position the cable clamp 97" (246.4 cm) from the output.

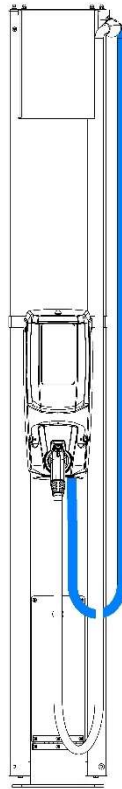
RECOMMENDATION: The cable portion between the clamp and the charging connector must not touch the ground when the cable management system is completely retracted.

4. Apply the self-adhesive rubber band around the cable for protection purposes and to ensure that the clamp can grip the cable.
5. Set the clamp over the rubber band and reinsert the screws into it by adjusting the torque of your tool to 7 inches per pound.



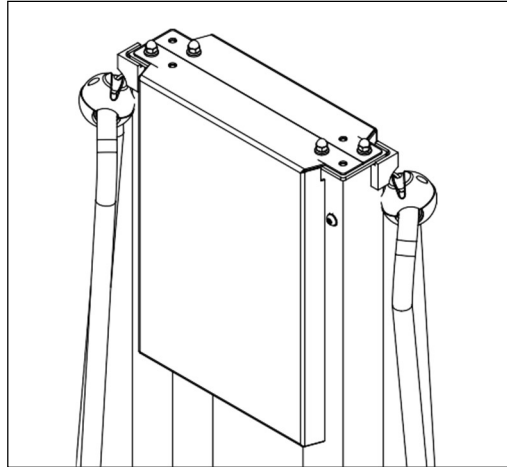
6. Let the cable retract. Verify the clearance between the charging station cable and the ground.
7. Wind the cable overhang around the charging station cable holder.

8. Position the cable clamp approximately 97" (246.4 cm) from the cable output under the charger.



8. Poster Panel Installation

The section below contains information and instructions on how to position the poster panel.



8.1. Required Material

The table below describes the material included with the EV charger. Use the number in the table to refer to the material in the image.

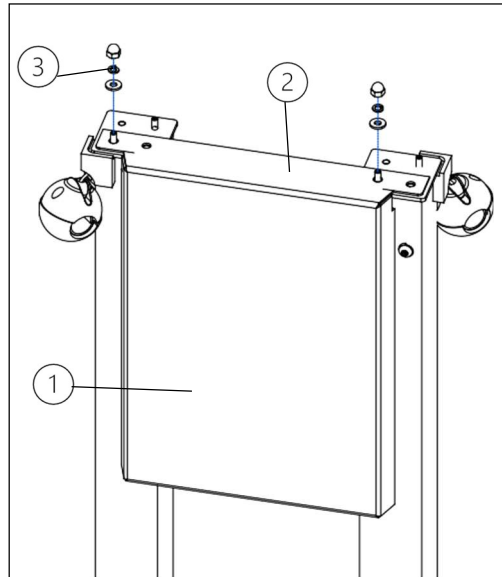
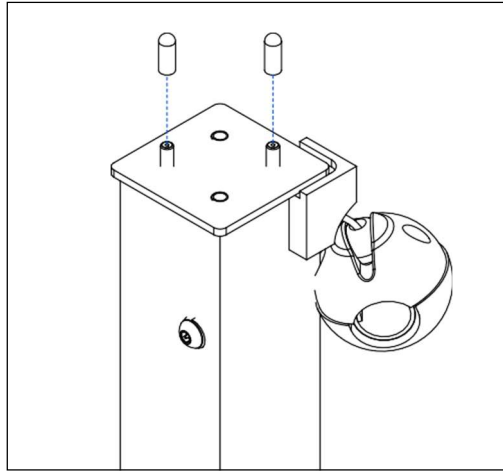


Image Reference Number	Included Material	Quantity
1	Poster panel (including 2 sides)	2
2	Attachment plate and screws	2
3	Bolts, washers, and split lock washer (max. torque: 30 LB-IN [3.3 N-M])	4 each

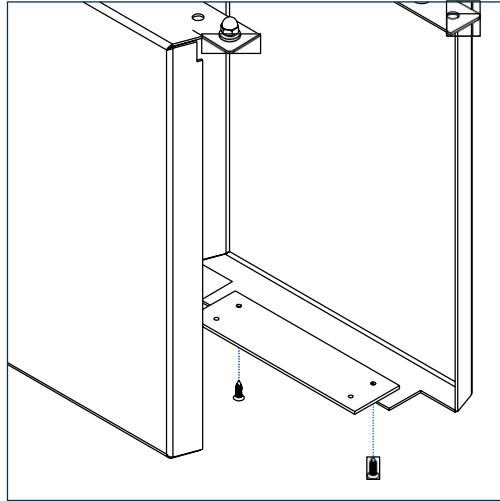
8.2. Positioning the Poster Panel

Follow the steps below to position the poster panel:

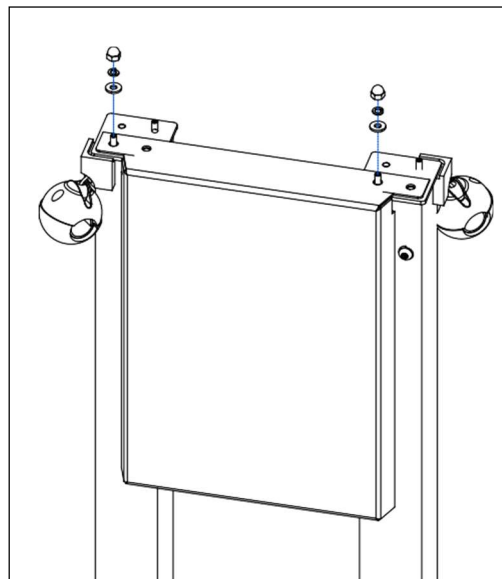
1. The top of the column has embedded screws with rubber caps and washers attached to them. Remove them and set them aside.



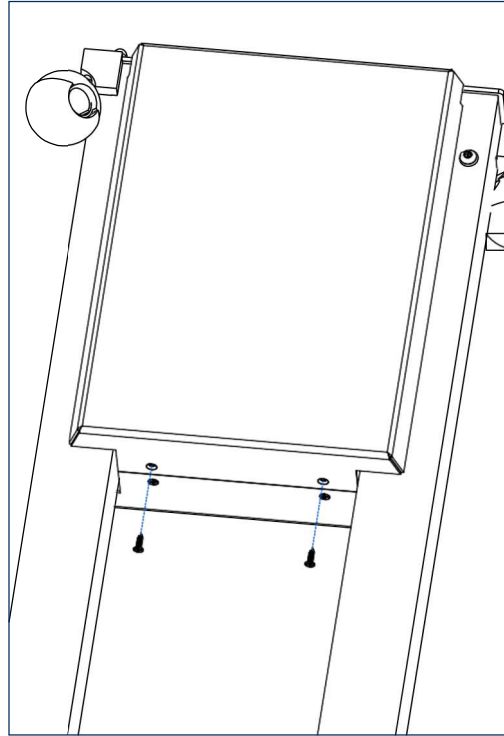
2. The poster panel is comprised of 2 parts. Before installing it, place the plate inside the panel and secure the attachment plate to the base of one of the panels with the provided screws by inserting the screws inward.



3. Place this panel on top of the columns by aligning the panel holes with the embedded screws and secure the assembly.



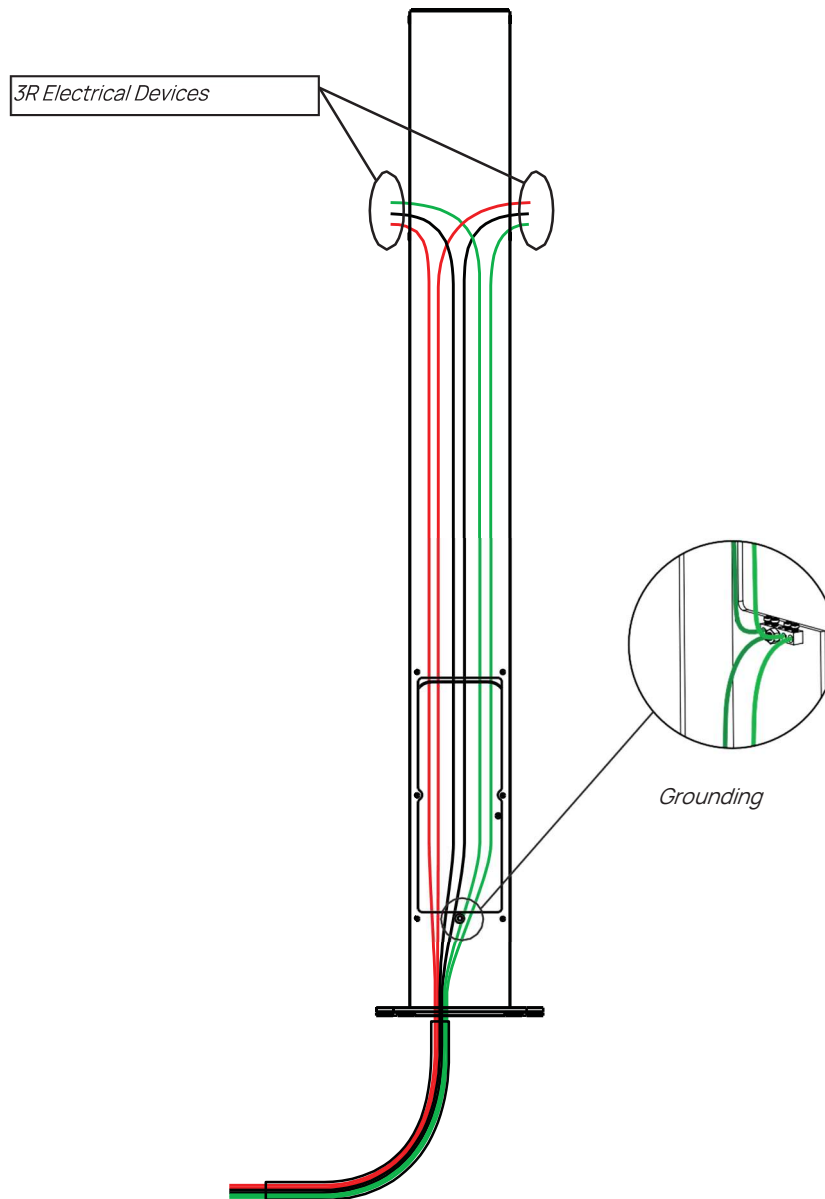
4. Install the second panel according to the instructions in the previous step and screw in the attachment plate to assemble both panels together.



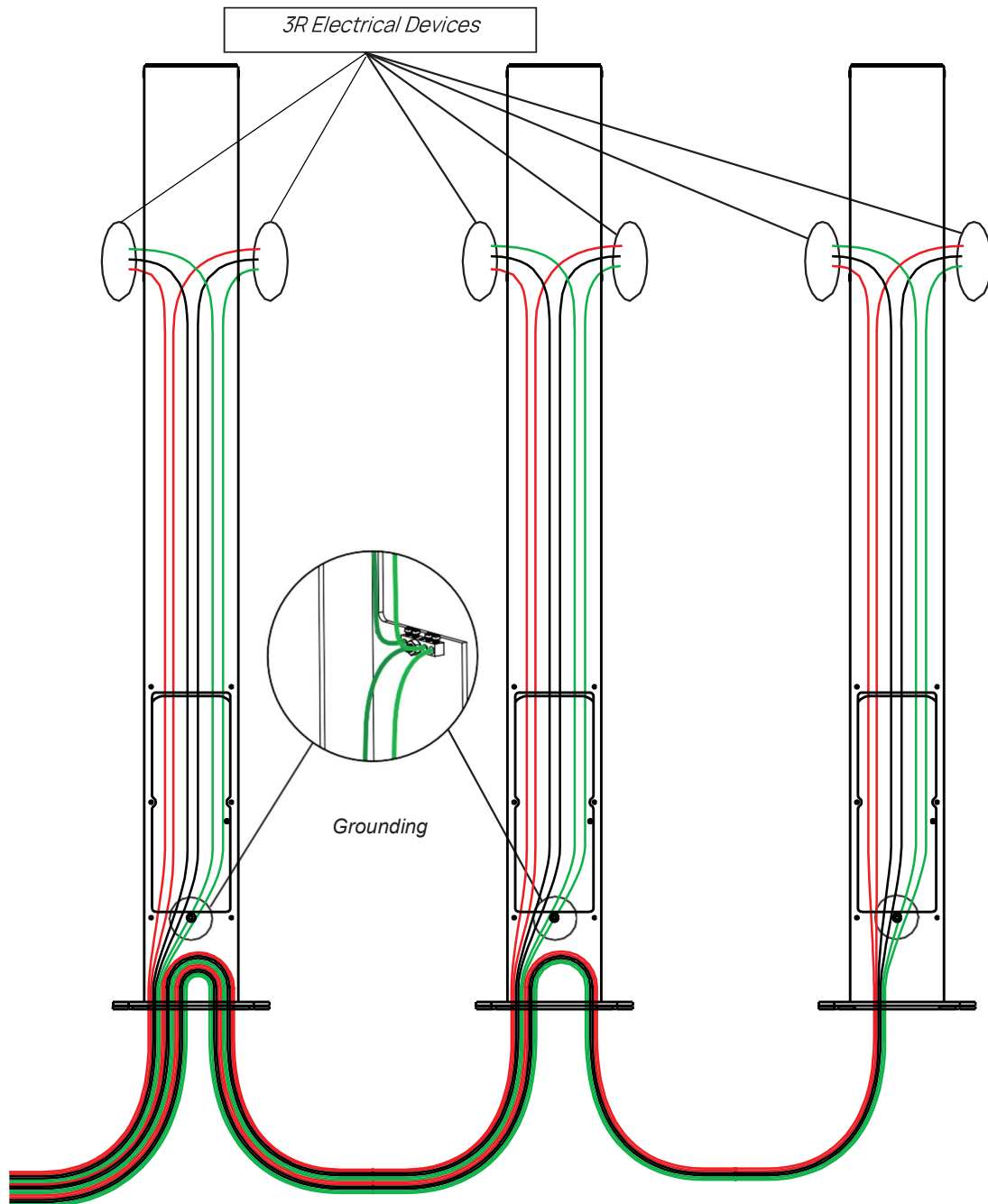
5. Screw the bolts and washers on the second panel.

9. Electrical Circuits on Different Configurations

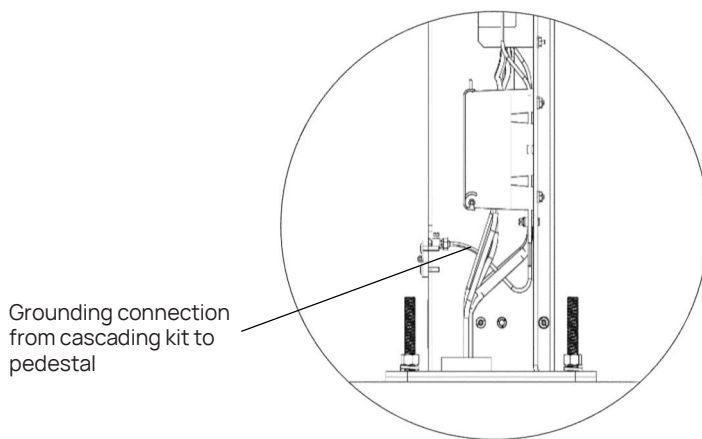
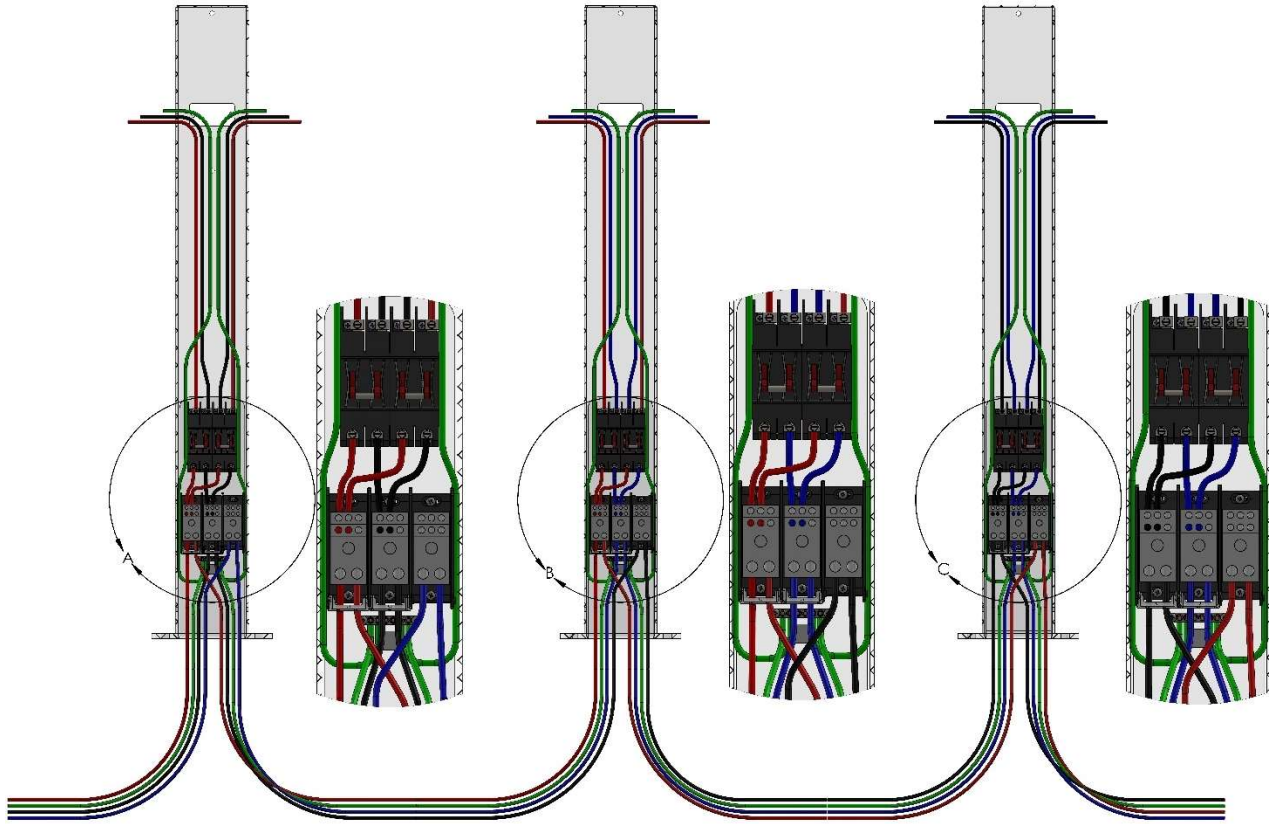
9.1. One or Two Devices on Separate Electrical Circuits



9.2. Multiple Pedestals, Multiple Devices on Separate Electrical Circuits



9.3. Multiple Pedestals, Multiple Devices Sharing the Same Electrical Circuit, but with a Circuit Breaker for each Device



10. Servicing the Charging Station

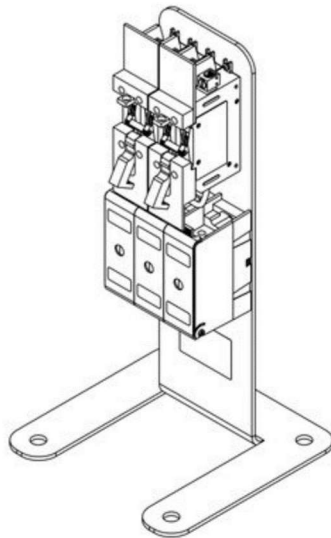
To access the charging station for servicing purposes, follow the instructions below:

10.1. 250 A Circuit

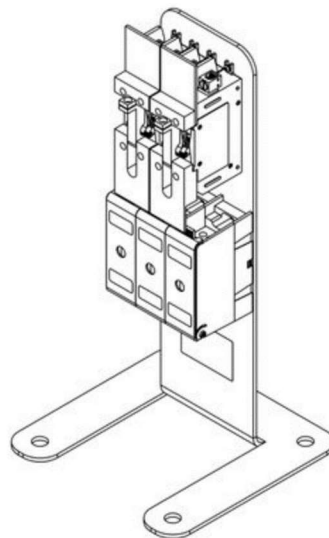
1. Unlock the lock on the pedestal access door latch, if applicable.
2. Remove the pedestal access door screws, if applicable, and open the door.
3. Put the breaker in the OFF position.
4. Confirm that there is no voltage in the charging station.
5. Put the breaker lock arm in the up position (if installed).
6. Secure the breaker lock arm by placing a padlock (not included) in the opening. When done, the breaker lock arm should be locked in the up position (if installed).
7. The charging station can now be accessed for servicing.

To put the charging station back in operation, follow the steps below:

1. Remove the padlock on the breaker lock (if installed).
2. Put the breaker lock arm in the down position (if installed).
3. Put the breaker in the ON position.
4. Ensure that the power on the charging station is ON and that the charging station is working properly.
5. Secure the access door according to regulations either by:
 - a. Placing a padlock (not included) on the door latch opening.
 - b. Tightening the 2 tamper-resistant hex drive screws on the top of the access door.



Breaker lock in the down position



Breaker lock in the up position

11. Copyright and Liability Information

Name: FLO_Core+ MAX_Pedestal and CMS Installation Guide_V.1.1.6_2023-10-30_CA_US_EN
ID: PRFM0050

FLO CA: © 2022-2023 Services FLO Inc., All rights reserved. FLO, the FLO logo, LEAD THE WAY, and TRACEZ LA VOIE are trademarks of Services FLO Inc. ADDÉNERGIE is a trademark of AddÉnergie Technologies Inc. used under license by Services FLO Inc.

FLO US: © 2022-2023 FLO Services USA Inc., All rights reserved. FLO, the FLO logo, LEAD THE WAY, and TRACEZ LA VOIE are trademarks of Services FLO Inc. used under license by FLO Services USA Inc. ADDÉNERGIE is a trademark of AddÉnergie Technologies Inc. used under license by FLO Services USA Inc.

All regions: This document is provided as a general instruction guide. All pictures shown are for illustration purposes only. Actual stations may vary in size or due to product enhancements, in which case additional steps may be required. AddÉnergie Technologies Inc. and its subsidiaries (“AddÉnergie”) reserve the right to alter this document and any product offerings and specifications at any time without notice and AddÉnergie does not guarantee that that this version of the document is current. It is your responsibility to comply with all applicable laws, including those related to accessibility, zoning, and to exercise due diligence when conducting an installation or using this product. Careless installation or use may result in injury or product damage. To fullest extent permitted by applicable laws, AddÉnergie disclaims any liability for personal injury or property damage resulting from the installation or use of this product.



Contact us

Telephone: 1 855 543 8356

Email: Info@flo.com

Website: Flo.com



Eastern office: 2800, Louis-Lumière Street, office 100, Québec, QC, Canada - G1P 0A4

Regional office – Western Canada: #501 – 4190 Lougheed Highway, Burnaby, BC, Canada - V5C 6A8

United-States Office: 1270 Pacific Dr, Auburn Hills, MI, United States – 48326