



Shown with optional  
cable management system

## CoRe+™

### Smart level 2 charging station for private, public and commercial applications

The CoRe+™ charging station is designed for applications such as workplaces, multi-unit residential buildings, fleets, and is also suitable for public spaces

#### Easy to use and reliable

- Cable management system (CMS) with unique counterweight system for smooth retraction.<sup>1</sup>
- Built to last with rugged Type 4X aluminum enclosure to protect the station from windblown dust, debris, ice and water
- Integrated cable holster for neat, safe cable storage

#### Versatile and efficient

- Save on electricity costs with patented PowerSharing™ and PowerLimiting™ technologies.
- Customizable installation choices suit a variety of parking configurations.

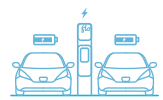
#### Smart station, smarter investment

- Monitor station health and gain key insights with the cloud-based management dashboard.<sup>2</sup>
- Maximize uptime with proactive station monitoring and remote intervention services.<sup>2</sup>
- Easily expand capacity with optional cascading kit to daisy-chain multiple charging stations on the same branch circuit



#### For workplace

Offer EV charging services to your employees, with a solution that will evolve with you as more drivers make the switch to electric vehicles.



#### For fleets

Ideal for fleet managers who wish to grow their light and medium duty EV fleets while maintaining affordable operational costs.

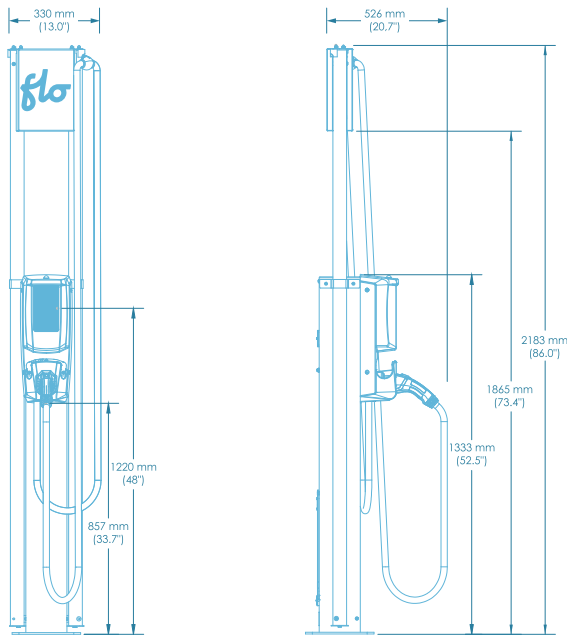
<sup>1</sup> Optional

<sup>2</sup> Requires FLO Global Management Services (GMS)

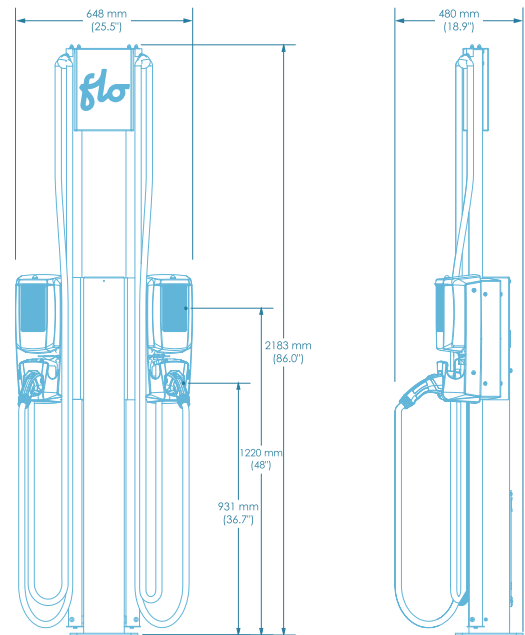
# Available configurations



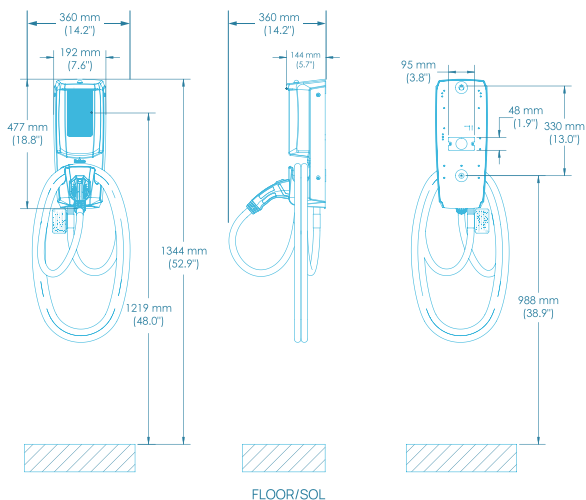
## DIMENSIONS



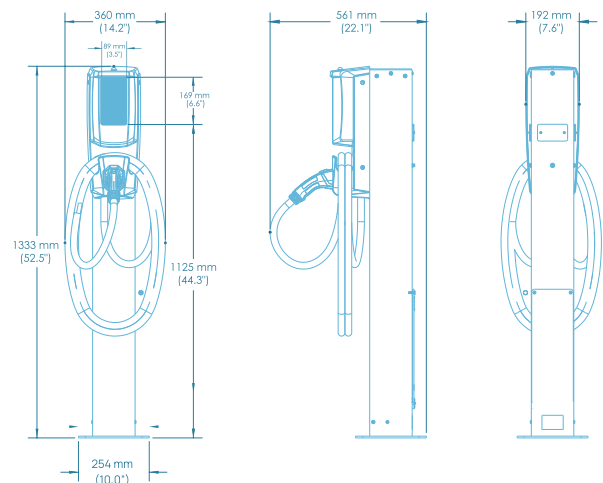
Single CoRe+™ on pedestal with CMS



Dual side-by-side CoRe+™ on pedestal with CMS



Wall Mount CoRe+™ (without CMS)



Single CoRe+™ on pedestal (without CMS)

# Technical specifications

## HARDWARE

Enclosure	Aluminum Type 4X
Charging Connector	SAE J1772
Cable Length	7.62 m / 25 ft
Cable Management System (optional)	7.62 m / 25 ft - Calibrated suspended weight
Operating and storage temperature	-40 °F to 122 °F / -40 °C to 50 °C
Weight	Charging station: 9.5 kg / 21 lb Pedestal: 14.5 kg / 32 lb CMS: 6.8 kg / 15 lbs
Humidity	Up to 95% (non-condensing)

## ELECTRICAL

Electrical load	208 VAC or 240 VAC for each charging station
Charging Power	1.2 - 7.2 kW (maximum configurable by software)
Output Current	6 A to 30 A (maximum configurable software and adjustable via a rotary switch)
Integrated GFCI	20 mA, auto reset (3 attempts at 15-minute intervals)
Frequency	60 Hz

## INTERFACE

Card reader	ISO 14443 A/B, ISO 15693
-------------	--------------------------

## CONNECTIVITY

Communication Interface	ZigBee - IEEE 802.15.4 meshed network
Cellular Communication	Cellular - 4G/LTE (gateway installed separately)

## CERTIFICATIONS AND COMPLIANCE

ENERGY STAR	YES
EMI Compliance	CSA - C22.2 No. 280, UL 2594, CSA C22.2 No 281.1 and 281.2, UL 2231-1 and 2231-2, UL Listed CAN - ICES-003 (A);
EMC Compliance	USA - FCC 47 CFR part 15 class A, CAN - ICES-003 (A)
Metering Accuracy	Certified according to California Type Evaluation Program (CTEP)



Learn more  
info@flo.com  
1 (855) 543-8356  
flo.com



Made in North America

Designed and manufactured  
by AddÉnergie Technologies Inc. d/b/a FLO.  
flo-core+-specs-sheet-en-d-2024-03-11



Learn more  
[info@flo.com](mailto:info@flo.com)  
1 (855) 543-8356  
[flo.com](http://flo.com)



Made in North America

Designed and manufactured  
by AddÉnergie Technologies Inc. d/b/a FLO.  
[flo-core+-specsheat-en-d-2024-03-11](#)