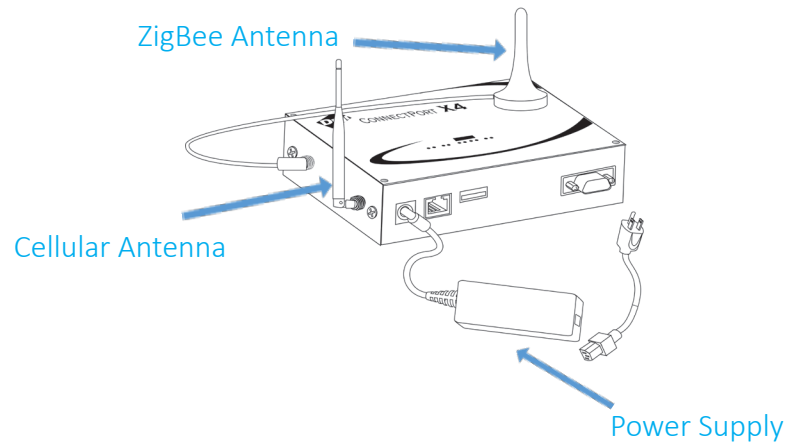


Communication Gateway Installation

Install the communication gateway* prior to the commissioning of the CoRe+ and CoRe+ PS charging stations.**

- The gateway must be **installed at less than 50 meters (160 ft.) in line of sight from the charging stations.**
- An outdoor installation is recommended in a PVC box.
- It is recommended to feed the PVC box from underneath.
- When completed, the PVC box must be waterproof.
- **Note :** Never use a GFCI outlet (ground fault circuit interrupter outlet) to power the communication gateway.



Commissioning

Contact us when the communication gateway is installed to validate the signal levels and activate commissioning, or for any other questions:

1 877-505-2674 #203

* The communication gateway is the property of AddÉnergie. Fees will be charged if the gateway is damaged or lost.

** CoRe+ V2VB does not require any communication gateway or commissioning.

Need help ?

1 877 505-2674 #203

support@addenergie.ca

Quebec City office
2327 Versant Nord blvd, suite 120
Québec (Québec), G1N 4C2

Mississauga office
7420, Airport Road West, suite 106
Mississauga (Ontario), L4T 4E5

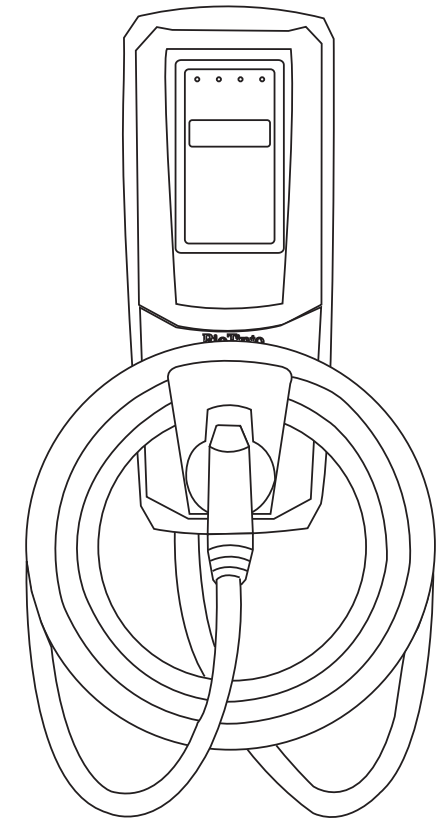


© 2016 AddÉnergie

V21-2016-07-27

Charging Station

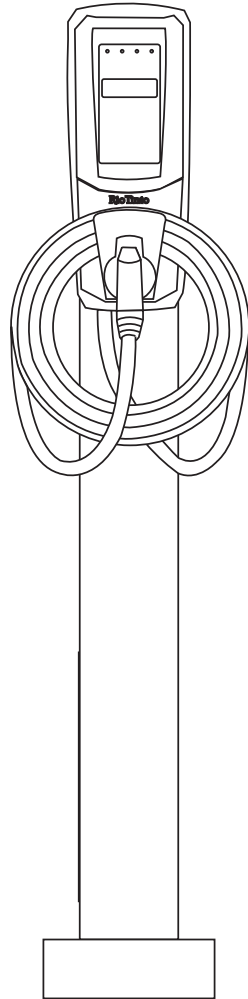
CoRe+V2
CoRe+V2PS
CoRe+V2VB



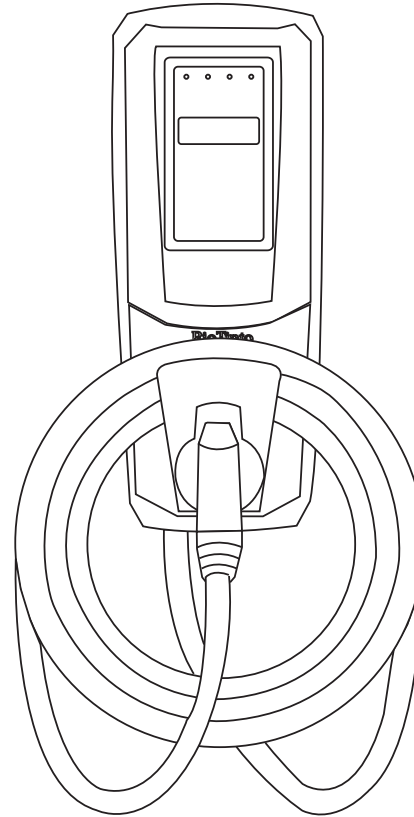
Quick start guide



Pedestal Installation



Wall Mount Installation



Electrical Connection

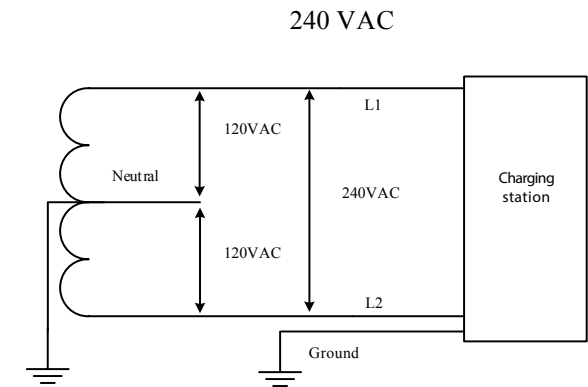
Split Phase 120/240 VAC Supply or 3 phase 120/208 VAC.

- Must be protected by a 40 A fuse or circuit breaker
- Requires 2 lines and 1 ground connection.
- Both lines must have 120V ground.
- Neutral is not used.

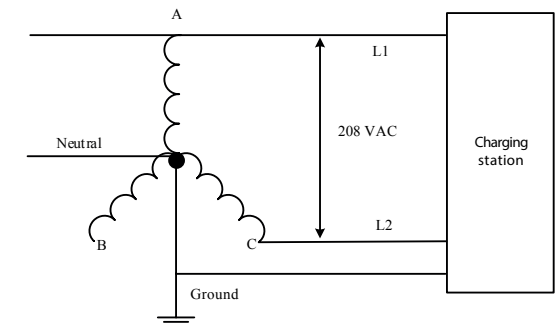
Connect the power supply of the charging station with copper conductors of 6-8 AWG caliber. **Warning:** This model is not certified for aluminum conductors.

Maximum output power: 7.2 kW @ 240 VAC or 6.3 KW @ 208 VAC.

Note: Built-in protection against overvoltage conditions and leakage current to ground.



208 VAC



Important

Consult a licensed contractor, a licensed electrician or a trained installer to ensure compliance with local building codes, local regulations, safety standards and climatic conditions.

Questions

For detailed installation guide or warranty:

www.addenergie.ca/support/documentation

or contact us : **1 877 505-2674 #203**