



# X5 Model

240 V | 30 A | 7.2 kW

With its sturdy construction, refined design and proven reliability, FLO Home brings you the best in residential EV charging.



### Connected

Track your data usage, access smart features like Charging Schedule and experience real time charging with the FLO app



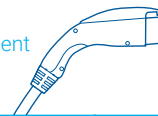
### Future-Proof

Automatic software update and easy addition of a 2<sup>nd</sup> X5 on the same breaker



### Quality Cable and Connector

25' commercial grade cable that ensures resilient flexibility



High quality universal connector built to last 10 years +

### Robust Casing

Made of 100% aluminum with a highly resistant finish



### Built-in Security

Safe for your electric vehicle and your home



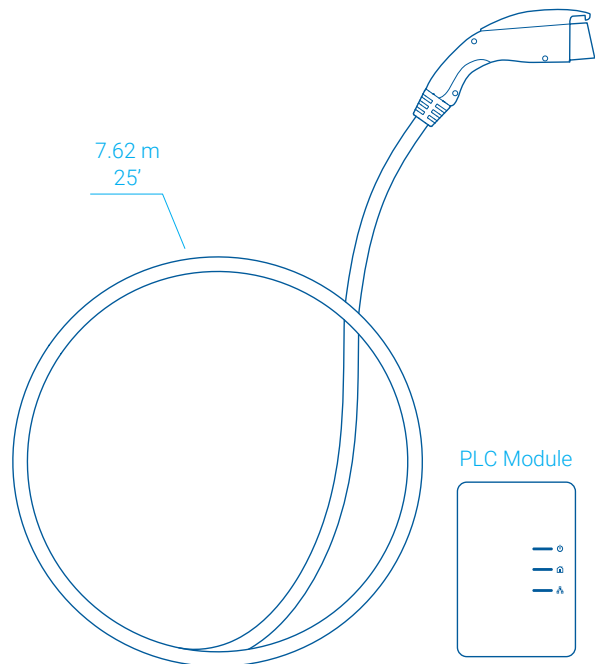
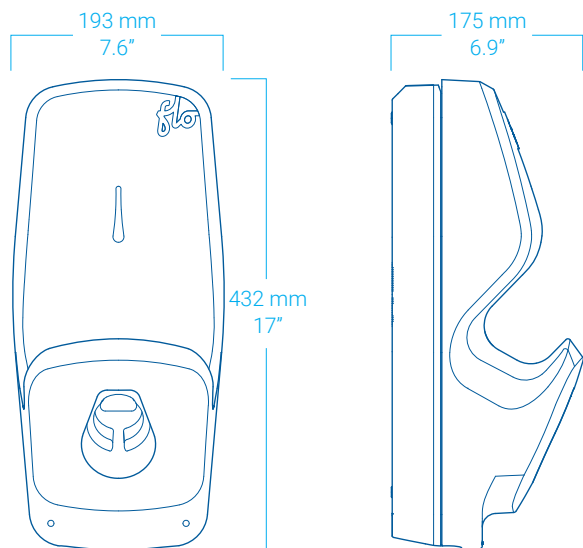
## 5-Year Limited Warranty



Meets applicable UL safety standards. Certified by CSA Group, a Nationally Recognized Testing Laboratory (NRTL).

# Technical Specifications

## X5 Model



### Type

Level 2 Charging Station

### Casing

100% aluminum  
NEMA 4X certified  
Designed for outdoor or indoor installation

### Finish

Carbon and Tungsten with high resistance coating

### Power Sharing

Included

### Charging Schedule

Included

### Voltage

208 - 240 V @ 60 Hz

### Charging Power

6.2 - 7.2 kW

### Cable

7.62 m / 25'  
Commercial grade cable

### Charging Connector

SAE J1772™ designed to withstand 10,000+ charging cycles

### Wall Bracket

Included

### Certification



### Security Features

Integrated GFCI 20 mA, 3 reset attempts at 15-minute intervals

### Operating Temperature

-40 °C to 50 °C  
-40 °F to 122 °F

### Installation

Hardwired installation or plug available  
NEMA 6-50 plug included in the box  
Must be installed by a qualified electrician

### Weight

11.23 kg / 24.76 lb

### Communication Interface

"HomePlug" power-line communication  
\*PLC module included

### Limited Warranty

5 years

### Model Number

FLO HOME X5 Tungsten:  
FH-1-STA-X5-HI5T-FL1  
FLO HOME X5 Carbon:  
FH-1-STA-X5-HI5C-FL1

### Conformity

FC CAN ICES-3 (B)/NMB-3(B)  
In conformity with IC: NMB - 006



Learn more  
info@flo.com  
1 855 543-8356

[flo.com](https://www.flo.com)