



SmartTWO™ Series

Set your city up for the EV revolution

Designed for public and curbside use, and sturdy enough to resist most vandalism and extreme weather, rely on SmartTWO™ charging stations to usher your city to a greener future.

The SmartTWO™ charger is a user-friendly connected charging station that allows comprehensive and easy access to data via centralized information management software and can also generate revenue through usage fees.

Robust and reliable

- Withstands the rigors of public charging with rugged Type 3R aluminum enclosure
- Patented door locking mechanism to protect connector

Cost-effective installation and expansion

- Maximize limited real estate with compact footprint and save on installation costs with integrated electrical cabinet (Optional on SmartTWO-BSR™ version only)
- Revenue generating options available

Effortless for drivers

- Unique cable management system makes handling the cable effortless. (SmartTWO-BSR™ version only)
- Automatic cable retraction eliminates tripping hazards (SmartTWO-BSR™ version only).
- Delivers real-time updates and notifications to drivers.



For cities

Interested in reducing their GHG emission by offering downtown destination charging.



For commercial parking lots

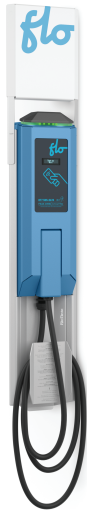
For public location owners interested in offering their customer base a great charging experience.



Workplace

For employers that want to provide their employees with a monitored charging service in a vandal-prone area.

Available Configurations



Wall-mounted



Double wall-mounted



Single pole-mounted



SmartTWO-BSR™

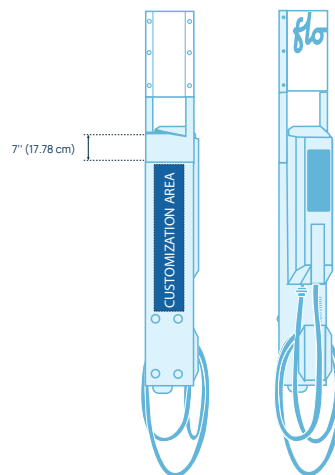
Dimensions

SmartTWO™

Every charging station includes easily customizable branding areas. The SmartTWO™ comes in its original colour, which can be modified with your custom signage.

Client panel for customization:

Dimension (HxW):
500 mm (19.7") x 152.4 mm (6")



Top view



SmartTWO™ single Wall-mount



Learn more
info@flo.com
1 (855) 543-8356
flo.com

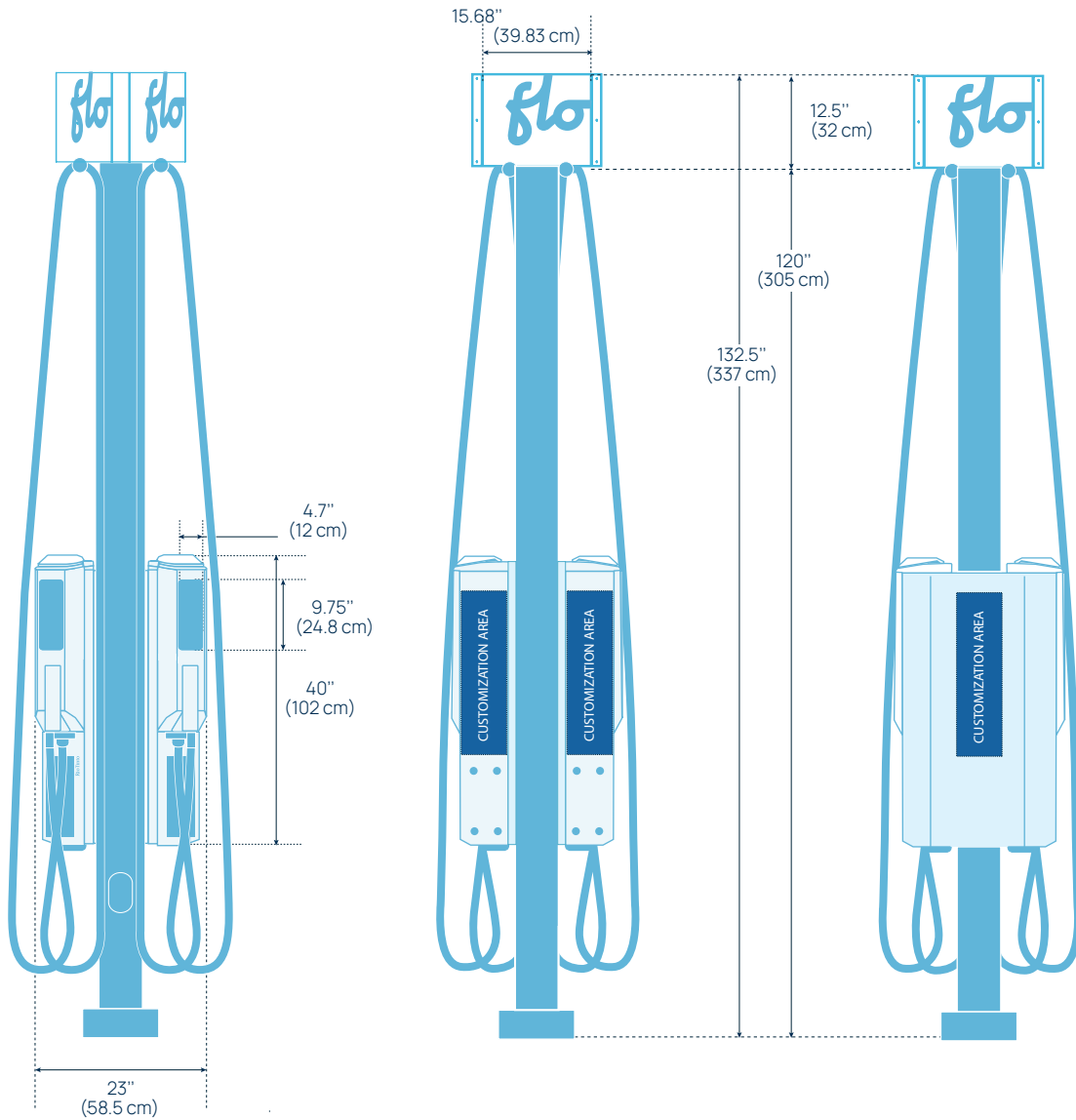


Made in North America

Designed and manufactured
by AddÉnergie Technologies Inc. d/b/a FLO.
flo-smartTWO-specsheet-us-en-d-2024-03-11

Dimensions

SmartTWO-BSR™



SmartTWO-BSR™ Master / Auxiliary version

SmartTWO-BSR™ Tuxedo version



Learn more
info@flo.com
1 (855) 543-8356
flo.com



Made in North America

Designed and manufactured
by AddÉnergie Technologies Inc. d/b/a FLO.
flo-smarttwo-specsheet-us-en-d-2024-03-11

Technical specifications

HARDWARE

	SmartTWO™	SmartTWO-BSR™
Enclosure	Aluminium Type 3R	Aluminium Type 3R
Charging connector(s)	SAE J1772	2 x SAE J1772
Standard Cable length	7.62 m / 25 ft (without CMS)	2 x 7.62 m / 25 ft (Cable reach: 6.60 m / 22 ft)
Cable Management System (optional)		Calibrated suspended weight
Operating and storage temperature	-40 °C to 50 °C / -40 °F to 122 °F	-40 °C to 50 °C / -40 °F to 122 °F
Weight	Wall-mounted configuration: 20 kg / 45 lb Pole-mounted configuration: 27 kg / 59 lb	80 kg / 175 lb
Humidity	Up to 95% (non-condensing)	Up to 95% (non-condensing)

ELECTRICAL

Input Rating	208 VAC or 240 VAC for each charging station	208 VAC or 240 VAC for each charging station
Max Output Power	Up to 7.2 kW	Up to 7.2 kW
Max Output Current	30 A	30A
Integrated Protection	GFCI, 20 mA, auto reset (3 attempts at 15-minute intervals)	20 mA, auto reset (3 attempts at 15-minute intervals)
Frequency	60 Hz	60 Hz

INTERFACE

Display	2 lines	2 lines
RFID User Authentication	ISO 14443 A/B, ISO 15693	ISO 14443 A/B, ISO 15693

CONNECTIVITY

Communication Interface	ZigBee - IEEE 802.15.4 meshed network	ZigBee - IEEE 802.15.4 meshed network (Primary and auxiliary unit)
Cellular Communication	Cellular - LTE (gateway installed separately for optimal performance)	Cellular - 4G (Master & Tuxedo unit)
Communication Protocol	ONP	ONP

CERTIFICATION AND COMPLIANCE

Certifications	CSA certified for Canada and United States Complies with UL 2594, UL 2231-1, UL 2231-2	CSA certified for Canada and United States Complies with UL 2594, UL 2231-1, UL 2231-2
EMC Compliance	USA - FCC 47 CFR 15, class A CAN - ICES-3 (A) / NMB-3 (A)	USA - FCC 47 CFR part 15 class A CAN - ICES-003 (A) / NMB-3 (A)
ENERGY STAR	YES*	YES
Metering Certifications	Certified according to California Type Evaluation Program (CTEP)	Certified according to California Type Evaluation Program (CTEP)
Accessibility	NO	ADA Compliant (US only)

*The SmartTWO-M is not Energy Star certified. Please inquire to ensure your model is Energy Star certified.



Learn more
info@flo.com
1 (855) 543-8356
flo.com



Made in North America

Designed and manufactured
by AddÉnergie Technologies Inc. d/b/a FLO.
flo-smarttwo-specsheet-us-en-d-2024-03-11