

FLO Ultra™ Series

The ultimate fast charging experience.



Smart Design

- Maximize real estate with two independent charger ports in a single enclosure.
- With up to 320 kW, charge up to 80% in as little as 15 minutes*.
- Dedicated intuitive user interface for each charging port.
- With dynamic power sharing, delivers up to 500kW for one car in a modular configuration*.



Brilliantly Simple

- EZLift™, motorized cable management for effortless charging.
- Easy to find with highly visible lighting canopy and intuitive state of charge indicators.
- Flexible, secure payment options.



Built-to-Last

- Rugged, aluminum enclosure to withstand the elements.
- Modular design for maximum uptime, easy serviceability, and expandability.
- Designed for maximum uptime and redundancy ensuring each port, user interface and EZLift cable management operate independently.

Technical specifications



HARDWARE

Enclosure	Aluminum Type 3R
Charging Connectors	CCS Type 1. IEC 62196, J3400 (2025)
Charging Protocol	DIN-SPEC 70121, ISO15118-2 (tested under ISO15118-4 -5)
Standard Cable Length	5.5m / 18 ft
Cable Management System	FLO EZLift™ motorized cable management
Operating Temperature	-40° C to 50° C / -40° F to 122° F
Maximum Operating Altitude	2000 m
Storage Temperature	-40° C to 70° C / -40° F to 158° F
Humidity	5% to 95%, non-condensing
Weight	680 kg / 1500 lbs
Dimensions (H x W x D)	2543 mm x 3005 mm x 704 mm (or 1222 mm w/ cable swing) / 8.3 ft x 9.9 ft x 2.9 ft (or 4 ft w/ cable swing)

ELECTRICAL

Input Rating	480 Y/277 V (-15% to +10%)
AC Nominal Current	≈ 425A
AC Input Connection	3-phase: L1, L2, L3, GND
Short Circuit Current Rating	65kA
Oversoltage Category	IV
Power Factor	>98% TBC
THDI (@ rated output)	< 5%
Max Output Power	320 kW (2 x 160 kW); FLO Ultra can be paired to deliver up to 500kW to a vehicle
Efficiency @ Nominal Output Power	> 93% TBC
Max Output Current	0.5 up to 500 ADC depending on cable and configuration
Max Charging Voltage	150 to 1000 VDC
Installation Configurations	Pull-In or Pull-Through
Charging Connector and Cable Configuration	(2) CCS1-500A liquid cooled, OR (2) CCS1 - 350A J3400 (NACS)option(2025)
Integrated Protection	IM/I, GM/I
DC Input (optional)	Optional. 2x Up to 500A 1000VDC
Frequency	60 Hz



Learn more
info@flo.com
 1 (855) 543-8356
flo.com

INTERFACE

User Interface	12.1" color LCD touchscreen English, French, Spanish. Charging station status LED indicators, Vehicle state of charge LED indicators
Credit Card Reader	Standard card reader: tap (NFC), insert, swipe
RFID User Authentication	ISO 14443A/B, ISO 15693, HID, MiFare

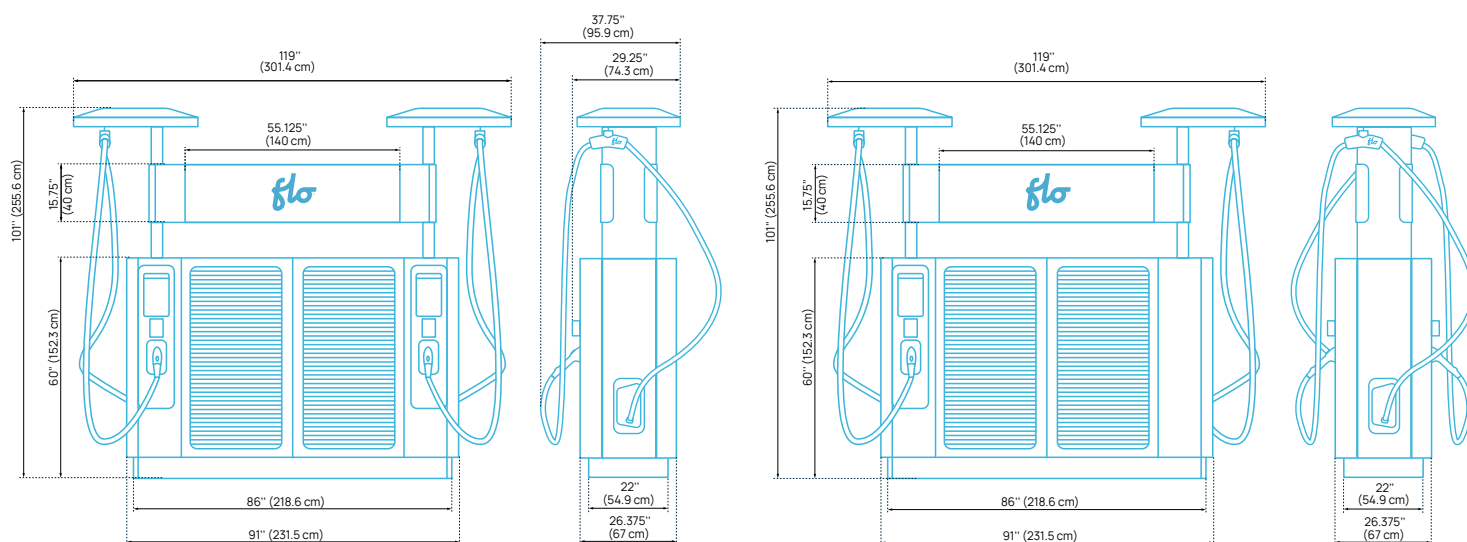
CONNECTIVITY

Communication Interface	Optional WAN connection
Cellular Communication	4G (LTE)
Communication Protocol	OCPP 1.6J, OCPP 2.0.1
Energy Metering	Incoming AC monitoring, DC energy meter (KIWEE)

CERTIFICATIONS AND COMPLIANCE

Certifications	UL2202/UL2231-1/UL2231-2 CSA C22.2 No 107.1/CSA C22.2 No 281.1/CSA C22.2 No 281.2 cULus (homologué NRTL) NIST Handbook 44 S3.40 - Type Evaluation Program
EMC Compliance	FCC 47 CFR Part 15, CAN ICES-003(B) / NMB-003(B) pending
ENERGY STAR	Pending
Metering Certifications	Coming soon
Accessibility	Meets ADA Requirements

Dimensions and customization

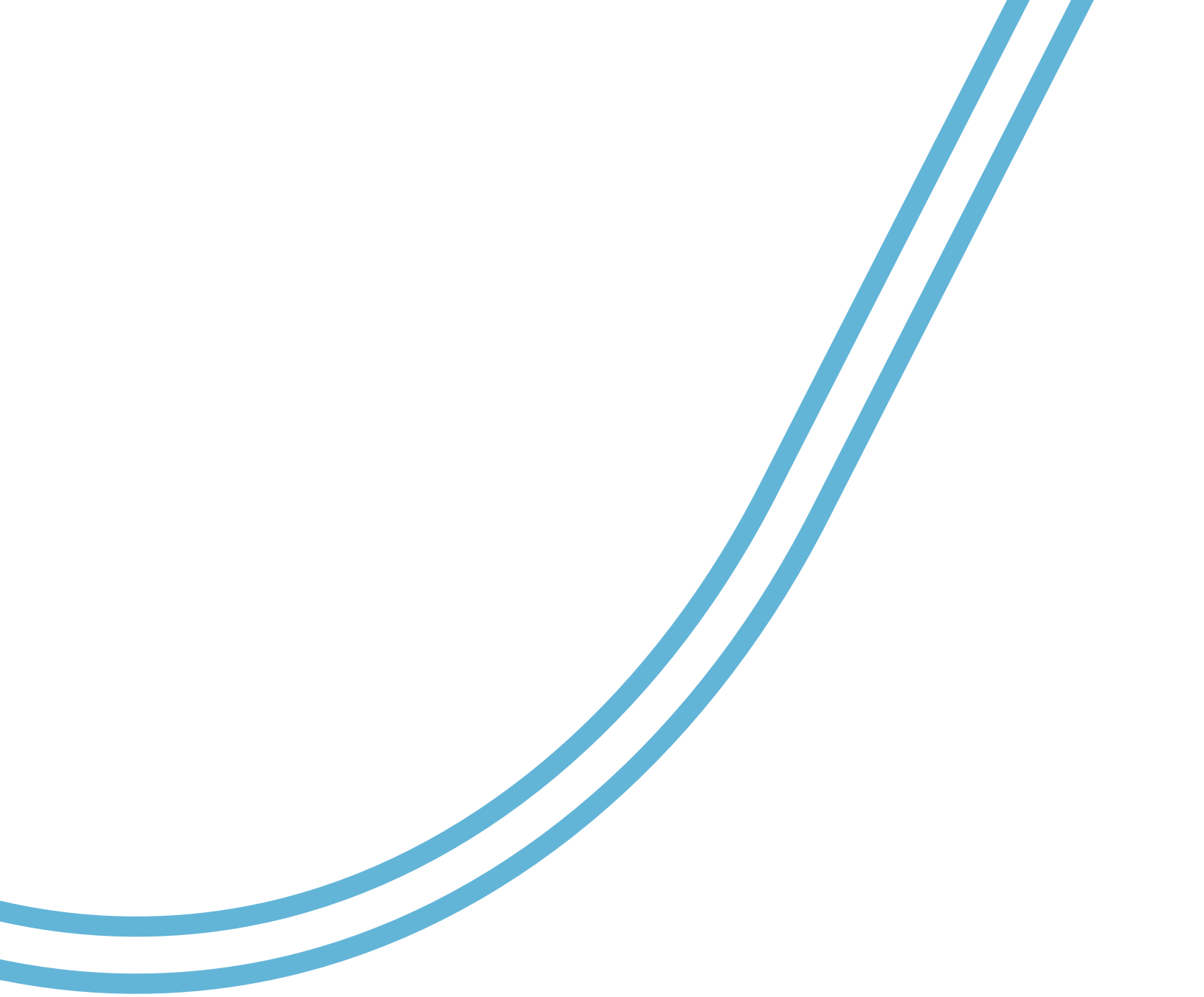


Pull-in configuration

Pull-through configuration



Learn more
info@flo.com
 1 (855) 543-8356
flo.com



Learn more
info@flo.com
1 (855) 543-8356
flo.com

Designed and manufactured by AddÉnergie Technologies Inc. d/b/a FLO.
flo-ultra-specsheet-en-d-2024-04-08