

FLO[®] Basic Pedestal

Installation Guide

Table of Contents

1. Important Safety Instructions	3
1.1 General Safety Instructions	3
2. About the Pedestal	5
3. Getting Started	6
3.1 Moving, Storing and Lifting the pedestal.....	6
3.2 Box Content	6
3.3 Specifications.....	7
3.4 Recommended Tools and Material.....	8
4. INSTALLATION INSTRUCTIONS	10
4.1 Anchoring System (Not Provided)	10
4.2 Preparation and Positioning	11
4.3 Installation.....	12
5. Service and Support	14
6. Limited Warranty for Specific Complementary Products	14
7. Copyright and Liability	15

1. Important Safety Instructions

IMPORTANT SAFETY INSTRUCTIONS. SAVE THESE INSTRUCTIONS.

Read all the instructions before using this product. Please keep up to date instructions throughout the product life cycle by consulting the FLO web site (flo.com). This document provides instructions to install the FLO Basic Pedestal and should not be used for any other product.



CAUTION: This symbol is used to provide awareness of important safety information in these instructions and applies to all the items belonging to the current section

1.1 General Safety Instructions

1. Perform a hazard assessment prior to performing any activities and use adequate personal protective equipment.
2. Before installing the pedestal, review this guide carefully and consult with a licensed contractor to ensure safety standards and applicable codes.
3. Under no circumstances will compliance with the information in this manual relieve the user of their responsibility to comply with all applicable codes or safety standards.
4. Reasonable efforts have been made to ensure that the specifications and other information contained in this guide are accurate and complete at the time of publication. However, this manual's specifications and other information are subject to change at any time without notice.

5. If, for any reason, it is not possible to install the pedestal according to the procedures provided in this guide, the installer should contact the FLO team.
6. FLO cannot be held responsible for any damage that may occur resulting from custom installations not described in this document.
7. Handle parts with care since they can be sharp-edged. Always use safety glasses and protection gloves when unpacking and installing the pedestal.
8. Some parts are heavy and could cause injuries. Always use proper lifting techniques and wear safety boots during installation.
9. Do not use the charging station if the pedestal is broken or damaged.
10. Check with local authorities to ensure there are no underground pipelines, electrical equipment or other materials that could be compromised before installing the pedestal.

2. About the Pedestal

The FLO Basic Pedestal is a robust solution designed for durability and versatility. Constructed from aluminium, this pedestal boasts an IK10 rating, ensuring exceptional impact resistance. Its corrosion-resistant properties make it suitable for all installation contexts. The pedestal can accommodate conduit and electrical wiring to be installed within the unit, facilitating a clean and organized installation process.

The FLO Basic Pedestal is engineered to accommodate up to two charging stations, providing flexibility for the configuration. Whether it is used as a single or a back-to-back setup, it efficiently meets the needs of electric vehicle owners.

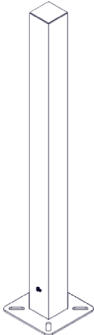
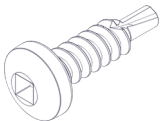
3. Getting Started

3.1 Moving, Storing and Lifting the pedestal

The pedestal must be moved and stored according to the following instructions:

- Carefully manipulate the Pedestal to ensure safety.
- During storage, the cable retractor should be kept in its shipping packaging at a temperature within the -22F to 122°F (-40°C to 50°C) range, and humidity not exceeding 95%, until it is installed by qualified personnel.

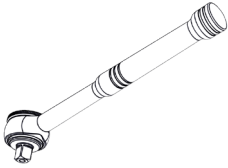
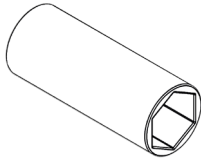
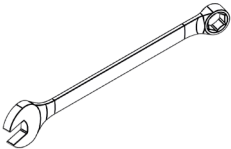
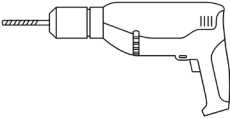
3.2 Box Content


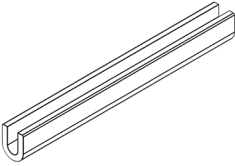
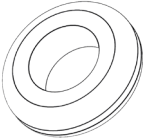
Part	Image
Pedestal	
Self-drilling screws (6x)	

3.3 Specifications

Specification	Details
Material	Aluminium
Finish	Powder coat paint
Dimensions (H x W x D) Body only (excluding base)	54" x 4" x 4" (1371.6 x 101.6 x 101.6 mm)
Dimensions (H x W x D) Body with base	54" x 9.8" x 9.8" (1371.6 x 250 x 250 mm)
Weight	12.1 lbs (5.5 kg)
Impact resistance	IK10
Lighting	No
Integrated GFCI Outlet	No
Installation bolt configuration	4 anchors / screw pile compatible
Mounting configurations	Single / back-to-back (max 2 units)
ADA compliant	Yes
Limited Warranty	One (1) year
Model Numbers	ACPE000030-FL-P17

3.4 Recommended Tools and Material

Part	Image	Details
Ratchet		Use for anchoring
Socket		Use appropriate socket size to tighten the nuts to the anchor bolts and the screws for the mounting plate.
Wrench		Use to lock in place a nut in case the base needs leveling.
Drill		Use to pre-drill holes to install the mounting plate of the charging station to the pedestal.
Anchoring system	Not shown; depends on type.	Use to set the pedestal to the ground.
Loop or routing clamps (optional)	Not shown	Use to attach the cable conduit leading to the charging station when installed on the surface of the pedestal

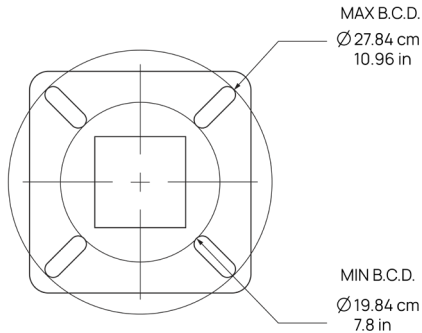
Part	Image	Details
Hole saw (optional)		Use to cut hole to install flexible conduit inside the pedestal
Edge protector for 1/8 in. (3 mm) thick wall (optional)		Use to protect from sharp edges (ex. electrical wire running inside the pedestal)
Grommet for 1/8 in. (3 mm) thick wall (optional)		Use to protect from sharp edges (ex. electrical wire running inside the pedestal)

4. INSTALLATION INSTRUCTIONS

4.1 Anchoring System (Not Provided)

Get in touch with a licensed contractor to determine the optimal anchoring system for the environment in which the pedestal will be installed. The recommended anchor bolt size is ½" (12.7 mm) in diameter. Make sure that the anchor bolts offer enough protrusion from the ground to ensure a levelled final installation.

The pedestal may accommodate a bolt circle diameter ranging from 7.8" (198.4 mm) to 10.96" (278.4 mm).



NOTE: the installation of the anchoring system and the electrical conduits leading to the charging station is not provided, it must be carried out by a licensed contractor.

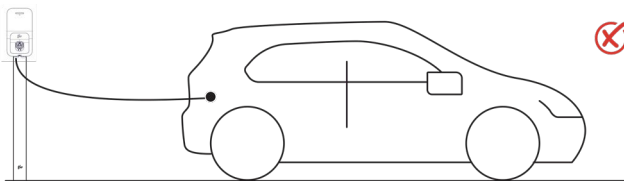
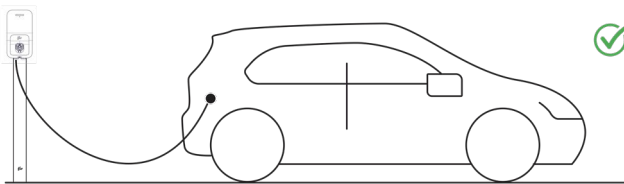
NOTE: If replacing a CoRe+ pedestal from FLO, no modification is required as the anchor bolt pattern is compatible.

4.2 Preparation and Positioning

Determine the location at which the pedestal is to be installed. The chosen location must be in accordance with all local codes and ordinances. The pedestal should not obstruct the passage of, for instance, cars and pedestrians. Furthermore, the following criteria must be taken into consideration to determine the optimal location of the pedestal and the charging station (or charging stations):

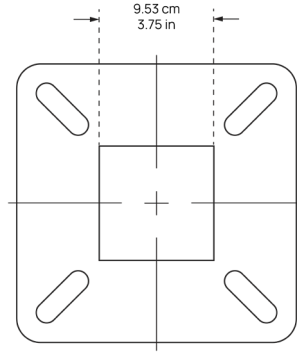
- The location where the EV is normally parked
- The location of the vehicle's charge port
- The length of the charging cable
- Existing or potential obstacles, including seasonal ones
- the Wi-Fi signal reach (so the charging station can be connected)

Ensure there is enough play in the charging cable so as not to apply strain to the cable, the cable connector or the car connector.



Determine the cable conduit configuration:

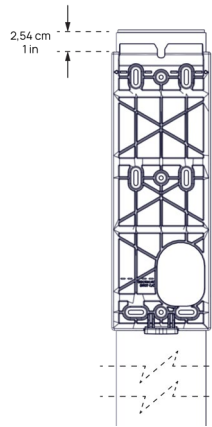
- Outside the pedestal
 - Inside the pedestal
- The available conduit space within the pedestal is 3.75" x 3.75" (95 mm x 95 mm). This is sufficient space for up to 2x 1½" (38 mm) PVC conduits.



4.3 Installation

1. Use the wall mounting plate delivered with the FLO Home charging station as a template to drill holes that will be used to fasten the mounting plate to the pedestal.

2. FLO recommends placing the wall mounting plate at a height of 53" (134.6 cm) from the ground or 1" (24.5 mm) from the top of the pedestal.



3. Once the desired height is determined, use the self-drilling screws provided to secure the mounting plate in place. A minimum of 3 screws (1 per row) must be used. Alternative fasteners can be:
 - 1/8" (3 mm) diameter domed head rivets (10 mm (3/8 in) long)
 - M4, 3/8" (8 mm) long thread-forming screws for soft metal
 - External Hex head thread-forming screws for metal, 6-32 thread, 3/8" (8 mm) long
4. Install the electrical conduit in conformity to the local building code. For conduits running inside the pedestal, a hole must be made in the pedestal at a location that either benefits from the charging station rear entry or bottom entry. A 3.75" x 3.75" (95 mm x 95 mm) space is available to pass conduits inside the pedestal.

NOTE: Use edge protector grommets to provide protection against any sharp edge. The thickness of the pedestal is 1/8" (3.2 mm).
5. Run the electrical wires through the conduit up to the charging station.
6. Insert the pedestal on the anchor bolts using the 4 designated slots and level the base so that the pedestal body is in a plumb position. Ensure that the conduit doesn't interfere with the pedestal.
7. Once the base is leveled, secure the pedestal in place using nuts.
8. To complete the charging station installation, please refer to the installation guide of the FLO Home charging station.

5. Service and Support

A customer experience or technical support representative is happy to assist!

Contact customer and technical support for any questions regarding installation or any technical problem:

<https://www.flo.com/support/>

1-855-543-8356

service@flo.com

6. Limited Warranty for Specific Complementary Products

Terms of the warranty can be found in a separate document available on the FLO.com website, under '*Products*' and '*FLO Home*'.

7. Copyright and Liability

Name: FLO_Basic Pedestal_Installation Guide_V.1.0.1_2025-03-28_CA_US_EN
Document ID: PRFM0142

FLO CA: © 2025 Services FLO Inc. All rights reserved. FLO, the FLO logo, and FLO HOME are trademarks of Services FLO Inc.

FLO US: © 2025 FLO Services USA Inc. dba FLO Charging Solutions USA Inc. in California. All rights reserved. FLO, the FLO logo, and FLO HOME are trademarks of Services FLO Inc. used under license by FLO Services USA Inc.

ALL regions: This document is provided as a general instruction guide. All pictures shown are for illustration purposes only. Actual stations may vary in size or due to product enhancements, in which case additional steps may be required. AddÉnergie Technologies Inc. (dba FLO) and its subsidiaries (“FLO”) reserve the right to alter this document and any product offerings and specifications at any time without notice and FLO does not guarantee that that this version of the document is current. It is your responsibility to comply with all applicable laws, including those related to accessibility, zoning, and to exercise due diligence when conducting an installation or using this product. Careless installation or use may result in injury or product damage. To fullest extent permitted by applicable laws, FLO disclaims any liability for personal injury or property damage resulting from the installation or use of this product.



Learn more
info@flo.com
1 (855) 543-8356
flo.com

Designed and manufactured
by AddÉnergie Technologies Inc. d/b/a FLO.