



FLO[®] Premium Residential Pedestal

Installation Guide

Table of Contents

1. Important Safety Instructions	3
1.1 Safety Symbols on your Product	3
1.2 General Safety Instructions.....	3
2. About the Premium Residential Pedestal.....	5
3. Certifications and Conformities	5
3.1 Safety Certifications	5
3.2 Ratings.....	5
4. Getting Started	6
4.1 Box Content	6
4.2 Main Components.....	7
4.3 Specifications	7
4.4 Recommended Tools and Material	8
4.5 Ground and base Requirements	9
5. INSTALLATION INSTRUCTIONS.....	10
5.1 Anchors.....	10
5.2 Installation of the pedestal	10
5.3 Waterproof Cover.....	17
6. Service and Support.....	18
6.1 Locating the Charger Serial Number.....	18
6.2 Cleaning.....	19
7. Limited Warranty for Specific Complementary Products	19
8. Copyright and Liability	19

1. Important Safety Instructions

IMPORTANT SAFETY INSTRUCTIONS. SAVE THESE INSTRUCTIONS.

Read all the instructions before using this product.

Please keep up to date instructions throughout the product life cycle.

This document provides instructions to install the FLO Residential Premium Pedestal and should not be used for any other product.



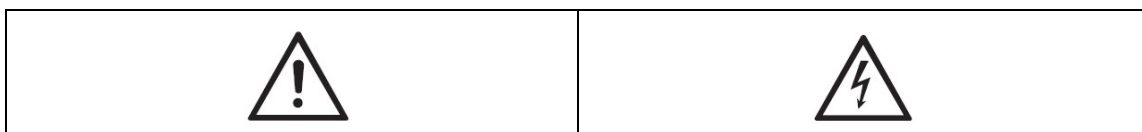
WARNING: When using electric products, basic precautions should always be followed. Make sure the circuit powering the Pedestal is turned OFF at ALL TIMES during the installation process. This manual contains important instructions for the Pedestal that must be followed during the installation, operation, and maintenance of the unit. Please read this guide carefully before attempting to install the charging station. The Pedestal must be installed by a licensed electrician. Ensure that only proper tools, materials, and equipment are used to complete the installation.

1.1 Safety Symbols on your Product

The symbols in the table below may be present through this guide and on the Pedestal. Please refer to the table below for information on the symbols.

	CAUTION: This symbol is used to provide awareness of important safety information in these instructions
	WARNING: This symbol is used to provide warning of hazardous voltage and possibility of electric shock

1.2 General Safety Instructions



NOTE: The symbols in the table above apply to all the items in the list below.

1. Perform a hazard assessment prior to performing any activities and use adequate personal protective equipment.

2. Before installing the Pedestal, review this guide carefully and consult with a licensed contractor to ensure safety standards and applicable codes.
3. Under no circumstances will compliance with the information in this manual relieve the user of their responsibility to comply with all applicable codes or safety standards.
4. Installation, removal, and handling activities must be conducted by qualified personnel in accordance with the applicable local rules.
5. Communicate with a licensed electrician to ensure compliance with the local building code, regulation, security standards and weather conditions.
6. Reasonable efforts have been made to ensure that the specifications and other information contained in this guide are accurate and complete at the time of publication. However, this manual's specifications and other information are subject to change at any time without notice.
7. If, for any reason, it is not possible to install the Pedestal according to the procedures provided in this guide, the installer should contact the FLO team.
8. FLO cannot be held responsible for any damage that may occur resulting from custom installations not described in this document.
9. Handle parts with care since they can be sharp-edged. Always use safety glasses and protection gloves when unpacking and installing the Pedestal.
10. Some parts are heavy and could cause injuries. Always use proper lifting techniques and wear safety boots during installation.
11. Do not use the charging station if the Pedestal is broken or damaged.
12. Verify with local authorities that no underground pipelines or electrical equipment are present before proceeding to the installation of the pedestal, otherwise you might inflict serious injuries on yourself and others.
13. Do not use power tools while performing installation or maintenance on the unit.
14. Do not use this equipment for anything other than its intended purpose.



This icon serves as a visual indicator to identify installation steps where a torque value should be applied.

2. About the Premium Residential Pedestal

The Premium Pedestal is an elegant, practical and robust solution. Constructed from aluminium, this pedestal boasts an IK10 rating, ensuring exceptional impact resistance. Its corrosion-resistant properties make it suitable for all installation contexts, providing a reliable charging solution in various environments. Featuring a spacious interior, the pedestal can accommodate conduit and electrical wiring, facilitating a clean and organized installation process.

The Pedestal is permitted to accommodate up to one EV charger. The charger must be used in conjunction with the following Listed EV Charger by AddEnergie Technologies Inc. (dba FLO) (E522756) Models HO, f/b X3, X6, or X8 Series.

3. Certifications and Conformities

The product covered by this guide follow industry standards and is compliant with the standards and certifications detailed in the sections below:

3.1 Safety Certifications

- UL 1773, Termination Boxes,
- CSA C22.2 No. 18.1, Metallic Outlet Boxes,
- CSA C22.2 No. 42.1, Cover Plates for Flush-Mounted Wiring Devices

3.2 Ratings

Electrical ratings

- For receptacle rated 125 V, 15 A maximum.
- For listed EV charger by AddEnergie Technologies inc. (E52256) (dba FLO), Models HO, f/b X3, X6 or X8 Series, hardwired. Input rating 208 VAC / 240 VAC. Max. 80 A, 1-phase, 60 Hz.

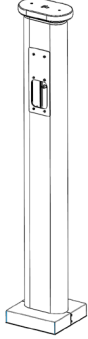
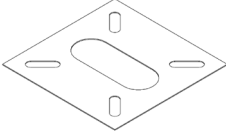
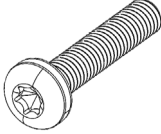
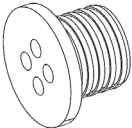
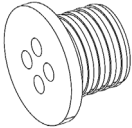
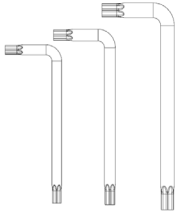
Environmental ratings

- Outdoor Use type 3R (Rainproof)

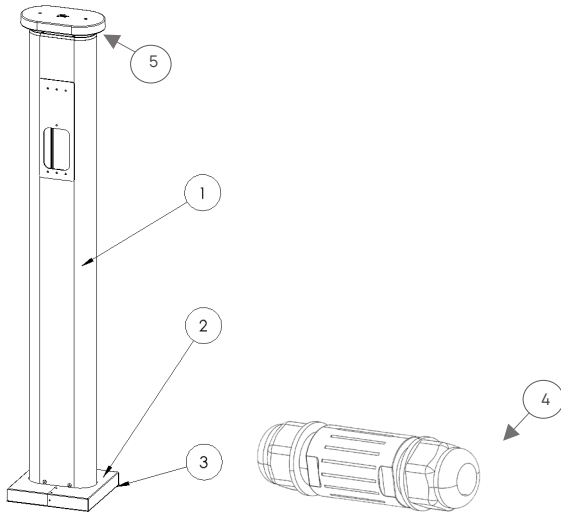


4. Getting Started

4.1 Box Content

Item	Image
Home Stand (with installed gasket, front and base covers)	
Intermediate Steel Base Plate	
6x M5 Mounting bolts (for the charger's wall mount)	
Rubber Plug 3/4" NPT (FLO Home X3 Installation)	
Rubber Plug 1" NPT (FLO Home X6 or X8 Installation)	
Tamperproof Torx Keys <ul style="list-style-type: none">• CR-V T20 for Base Cover• CR-V T25 for Lamp Module• CR-V T30 for base	

4.2 Main Components



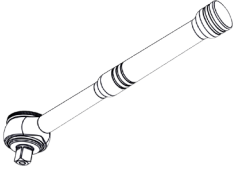
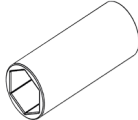
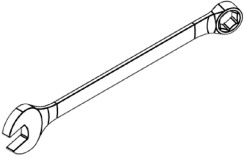
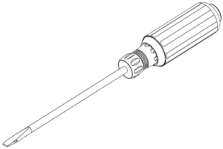
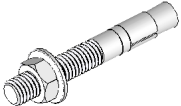

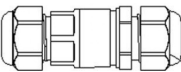
Part	Description
1	Pedestal's main body
2	Base cover
3	Intermediate base plate
4	IP68 Waterproof connector (Not included - Recommended)
5	Pedestal head

4.3 Specifications

	Home Stand
Product Code	ACPE000031-FL-P20
Material	Aluminium
Finish	Powder coat paint
Dimensions (H x W x D)	Body (W/O Base Cover): 60 in (1524 mm) x 9.84 in (250 mm) x 9.84 in (250 mm) Body (W/ Base Cover): 60 in (1524 mm) x 10.24 in (260 mm) x 10.24 in (260 mm)
Base plate thickness	3/8" (9.5 mm)
Fixation holes width	11/16" (18 mm)
Weight	44 lbs (20 kg)
Corrosion resistance	5 years
Wire conduit	Up to 2x 1-1/2" PVC conduits
Lighting	Default: Lamp ON, Photocontrol ON (250 lm, 4000 K, 6.31 W)
Integrated 125 V, 15 A GFCI Outlet	Yes (Waterproof receptable)
Installation bolt configuration	4 anchor bolts
Mounting configuration	Single charging station only
ADA compliant	Yes
Enclosure rating	Type 3R enclosure (Rainproof)
Installation	Must be installed by a licensed electrician
Limited Warranty	1 year

4.4 Recommended Tools and Material

We recommend using the tools in the following table to complete the Pedestal installation:

Tools	Description	Example Image
Ratchet	Use for anchoring system	
Socket	Use appropriate socket size to tighten the nuts to the anchor bolts and the bolts for the mounting plate	
Key set	Use to lock in place a nut in case the base needs leveling	
Flat head screwdriver	Use for ground lug	
Anchors Bolts (4x)	Use appropriate anchors depending on installation surface	
Wire Stripper	Use for grounding charger cable to pedestal body	
IP68 Waterproof Connector	Use to secure the wires between the power line cable (120 V) to the base of the pedestal	

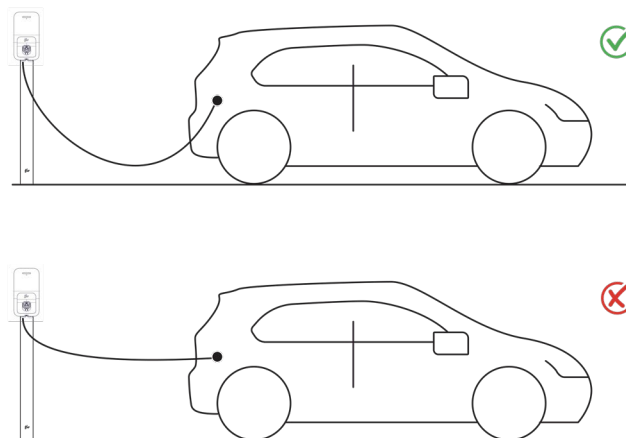
NOTE: Do not use power tools while performing installation on the unit.

4.5 Preparation and Positioning

The pedestal can be installed on various residential infrastructures such as driveways, backyard patios, garden areas, private courtyards and concrete bases, if these locations are capable of securely anchoring the pedestal to maintain it in place. The chosen location must be in accordance with all local codes and ordinances. The pedestal should not obstruct the passage of, for instance, cars and pedestrians. Furthermore, the following criteria must be taken into consideration to determine the optimal location of the pedestal and the charging station (or charging stations):

- The location where the EV is normally parked
- The location of the vehicle's charge port
- The length of the charging cable
- Existing or potential obstacles, including seasonal ones
- the Wi-Fi signal reach (so the charging station can be connected)

Ensure there is enough play in the charging cable so as not to apply strain to the cable, the cable connector or the car connector.



A concrete base can be prefabricated or made on site using a concrete formwork. The dimensions and conduit positioning must be determined beforehand, based on the environment and layout configuration. The base's height, depth in the ground and surface area must be determined according to the soil type and the freeze/thaw specifications of the installation area. Use an appropriate electrical conduit with a maximum diameter of 1.5" (3.8 cm) to position the electrical cables in the center of the anchor. The pedestal base opening has been sized to accept 2 PVC conduits up to 1.5" (3.8 cm) in diameter each, in side-by-side configuration. One conduit should be for charger's electrical wires, the other conduit should be for the GFCI's electrical wires.

5. INSTALLATION INSTRUCTIONS

For installation in accordance with ANSI/NFPA 70, "National Electrical Code (NEC) and Canadian Electrical Code (CEC).

NOTE: This pedestal can only work in conjunction with the FLO Home X3, FLO Home X6 or FLO Home X8 charging stations, no other models are supported. The pedestal warranty will be voided as a result of installing other charging station models.

5.1 Anchors

The recommended anchor bolt size is 1/2" (13 mm) in diameter. Make sure that the anchor bolts offer enough protrusion from the ground to ensure a levelled final installation.

The pedestal may accommodate a bolt pattern ranging from 5.5" x 5.5" (140 mm x 140 mm) to 7.75" x 7.75" (197 mm x 197 mm) to 11.0" (278 mm). See Figure 1.



NOTE: The Premium Residential Pedestal has the same anchor pattern than a CoRe+ Series pedestal but does NOT have the same wire conduit positioning.

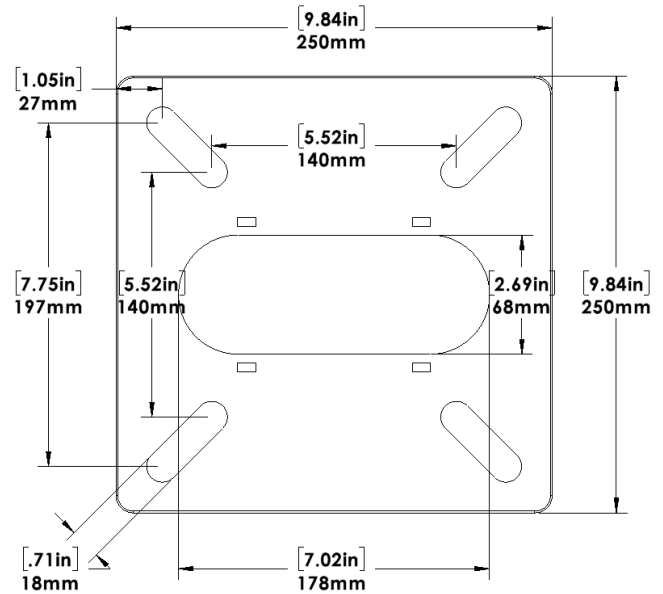


Figure 1 Base bolt pattern

5.2 Electrical Wiring Preparation

Two (2) circuits are required for the installation of the Premium Pedestal:

1. A 240 V / 208 V circuit to power the charging station.
2. A 120 V circuit to power the power supply and the light located in the pedestal head.

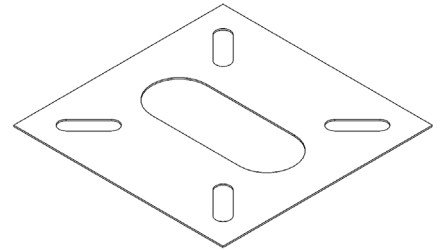
To choose the right power cables, communicate with a licensed electrician to ensure compliance with the local building code, regulation, security standards and weather conditions.

5.3 Installation of the pedestal

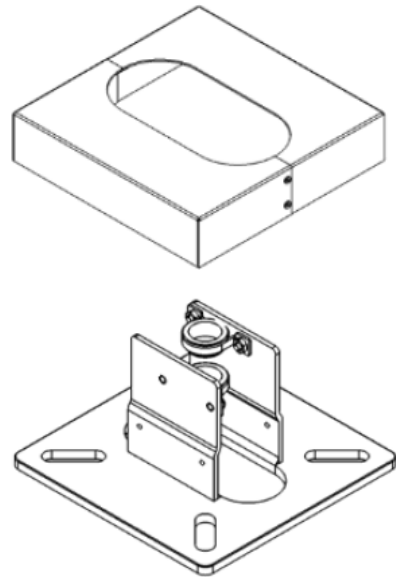
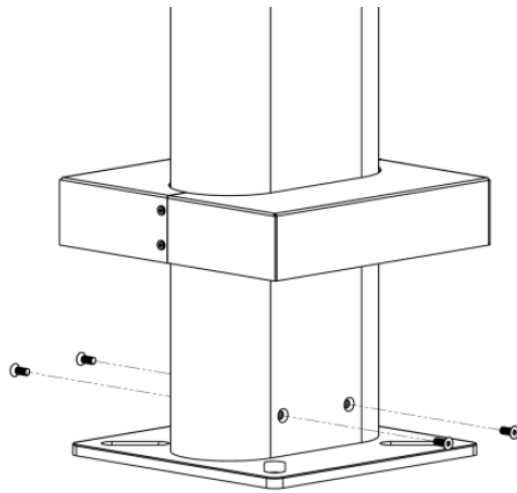
Follow the instructions below to complete the typical installation of the Pedestal with conduits running inside the main body:

1. Remove the pedestal from the packaging. Set the intermediate base plate aside.

RECOMMENDATION: Keep aside 2 protective foams from packaging to lay the pedestal on the Ground and avoid damaging the paint during installation and connection.

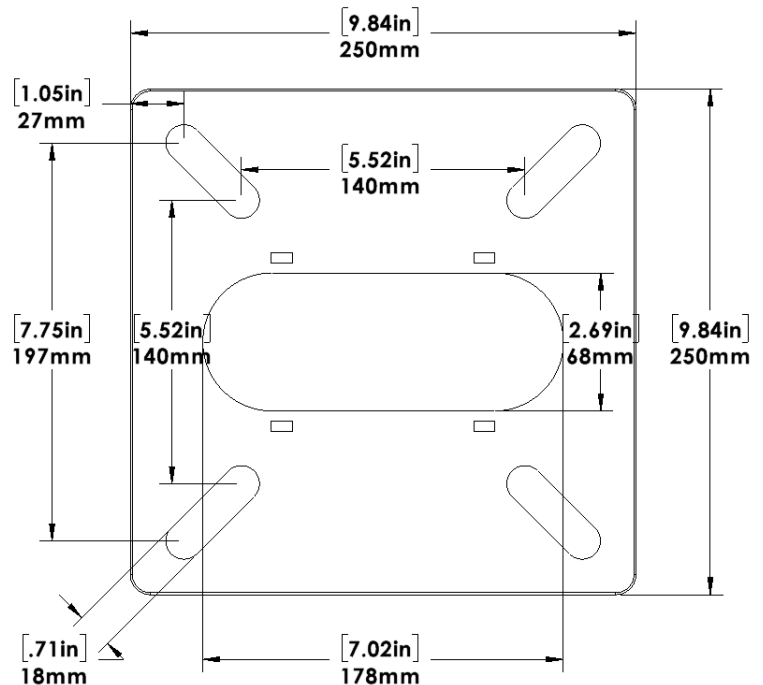


2. Slide the base cover up and remove the protective plastic wrap. Remove the 4 base bolts and slide the base out, then the base cover and set both aside.

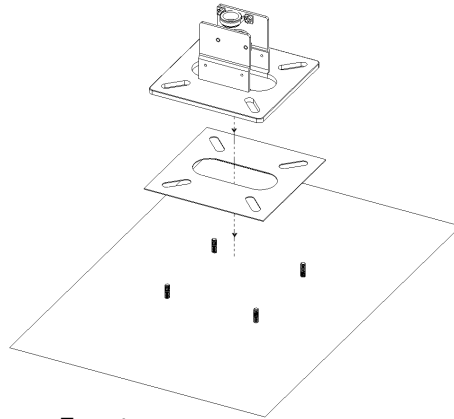


3. The Pedestal is to be installed on a flat and levelled concrete slab. Install anchor bolts (x4) – not included- using the intermediate steel plate as a template. **NOTE:** Ensure that anchor bolts protrude no more than 1-1/8 in (30 mm) above ground.

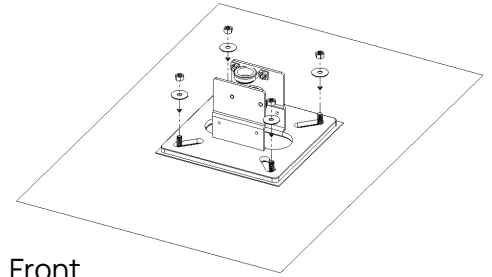
Ensure that the PVC conduit of the charger's power cables protrude at least 5.5" (140 mm) above ground. The maximum supported PVC conduit outer diameter is 1.5" (38 mm).



4. Place the intermediate steel plate over the anchor bolts and ensure the cables pass through the middle. Place the base on top of the intermediate plate and secure it with nuts and washers.
- NOTE:** To maintain compliant with the certification of the pedestal, the installation of the intermediate steel plate is mandatory.

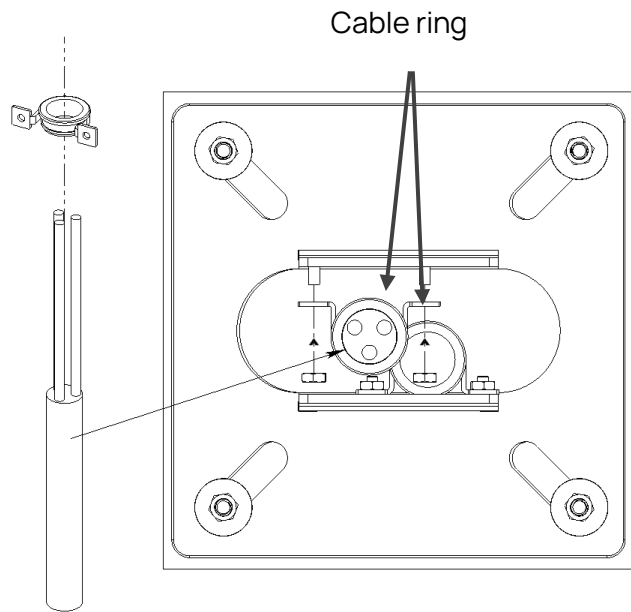


Front



Front

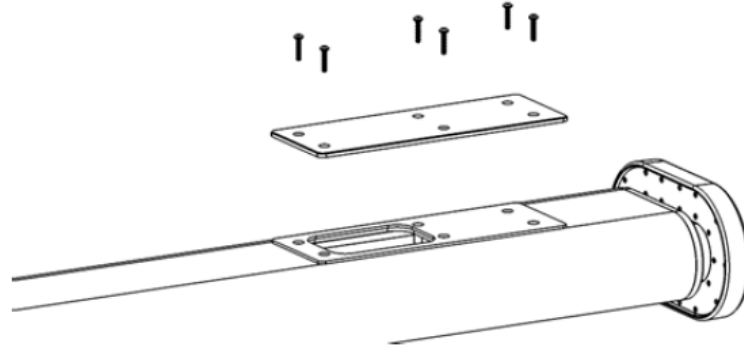
5. Remove the bolts on the clamp ring and route the charger's power cables through the base bracket ring and then through the pedestal body. It is optional to feed the GFCI's power line through the clamp ring.



Front

6. Lay the pedestal on the ground. As recommended earlier, use the 2 protective foams to prevent any damages to the pedestal body. Remove the pedestal front cover plate by removing the 6 bolts. Set the bolts aside to be used when mounting the charger.

NOTE: The pedestal front cover is used to maintain the enclosure environmental rating. The charging station will be carrying this role once installed. The pedestal front cover plate can be discarded /recycled.

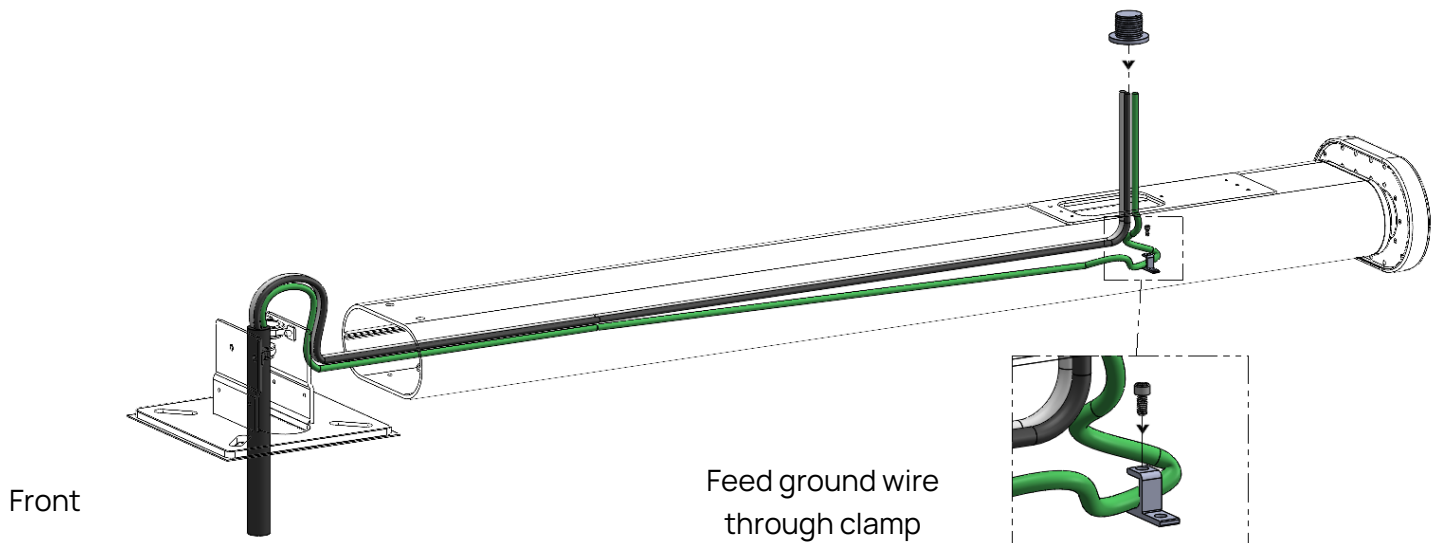


7. Feed the charging station power cables through the body entering from the bottom and out through the front opening. Remove the insulation of the ground wire approximately 25 mm (1 in) in line with the ground clamp and secure it by tightening the bolt. Use the Rubber Plug (provided) when passing wires in the EV charger to not compromise its NEMA 4X watertightness integrity of the EV charger.

- FLO Home X3: Use the Rubber Plug ¾" NPT
- FLO Home X6 or FLO Home X8: Use the Rubber Plug 1" NPT

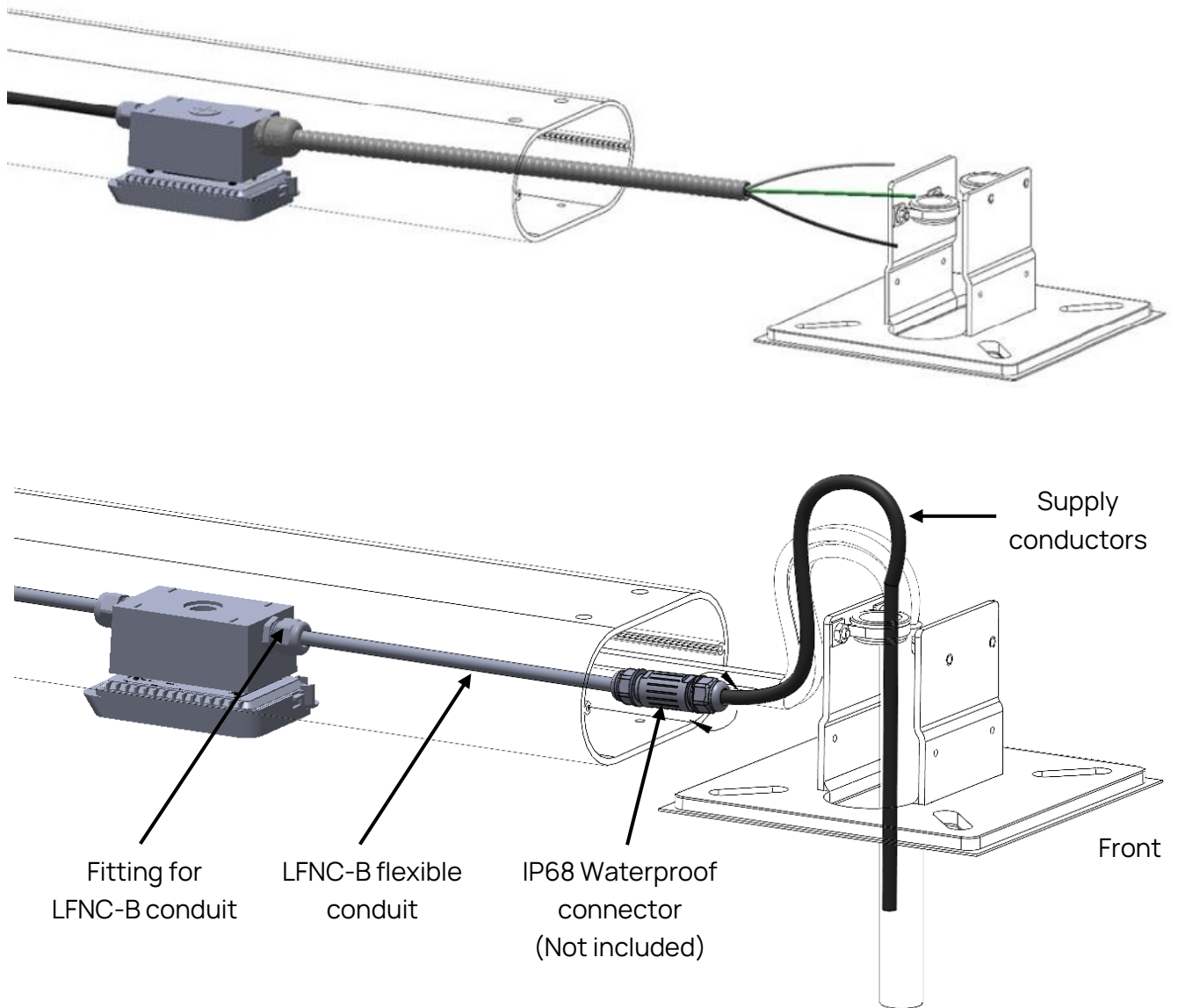
The plug must be inserted in the rear entry of the charging station (see charging station installation guide for details). Temporarily secure the cables outside of the pedestal body so it does not fall in.

NOTE: Ensure the charging station conductors (power cables) are long enough to reach the terminals of the charging station.



8. Connect the supply conductors (120V, the second circuit dedicated to the pedestal) to the 14 AWG leads. It is recommended to secure the wires to a IP68 waterproof connector (not included) but validate the best approach for your installation context with a licensed electrician. Liquid-tight flexible plastic fitting and conduit with 6" of extended 14 AWG leads intended for the 15 A GFCI receptacle are factory installed.

NOTE: The pedestal's receptacle GFCI is intended for connection to a 125 V, 15 A circuit branch protection.

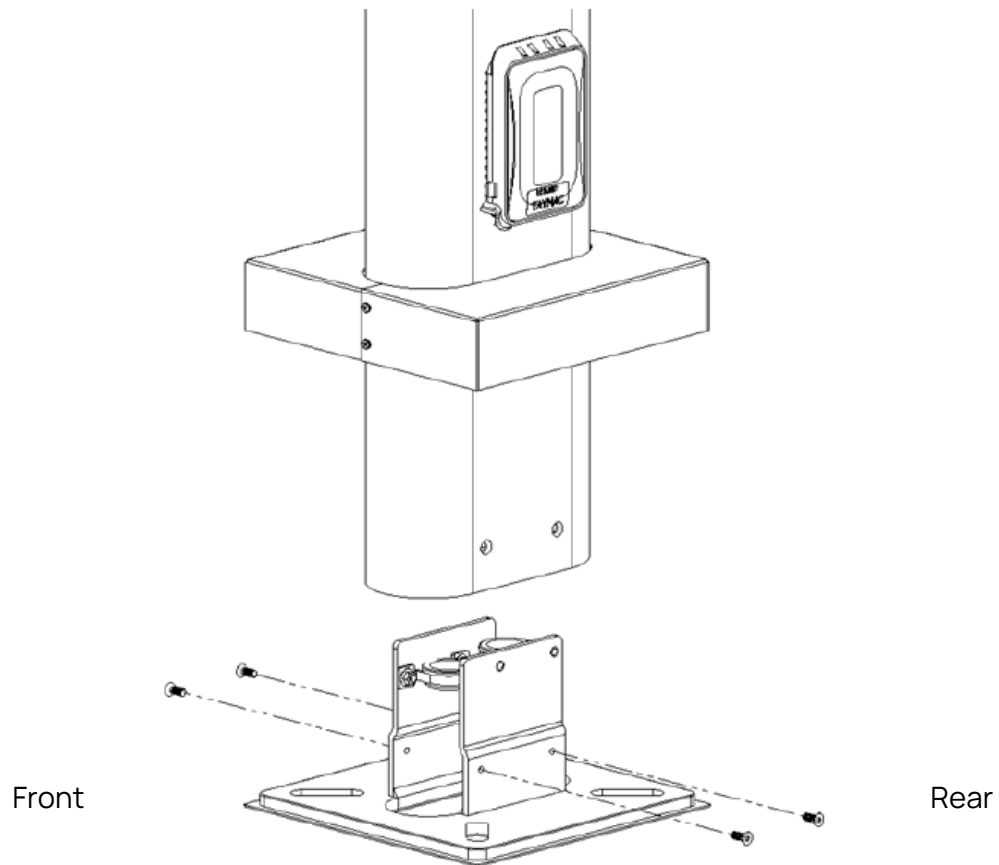


- Place the base cover over the body, making sure the opening is facing downwards and then slide the body over the base. Lift the base cover up to secure the pedestal to the base with hardware. Rest the base cover on the top of the steel plate. Be mindful, as the pedestal can be unstable at this step.



Use a torque value of 2.0 ± 0.2 Nm on the 4 bolts provided to secure the pedestal body to the base plate.

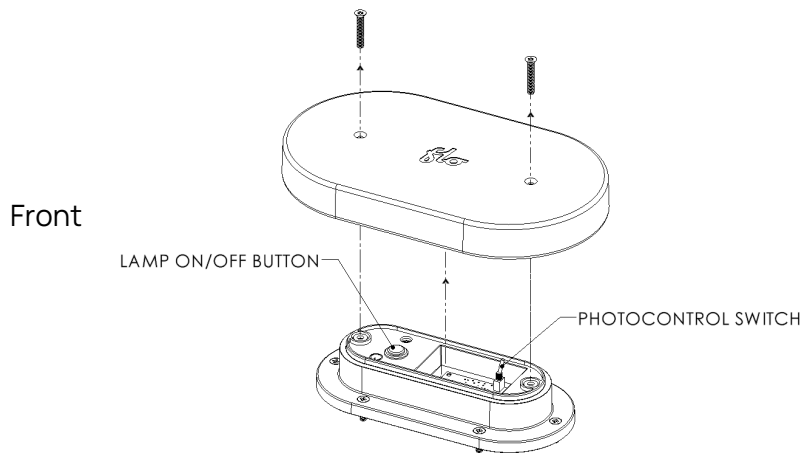
It is possible to install the base cover after fixing the pedestal body to the base. In this case, for the 4 bolts of the base cover, please use a torque value of 1.0 ± 0.1 Nm



- Install the EV charger as shown in the FLO Home X3, X6 or X8 Installation Guide.

11. (Optional) Photocontrol and lamp ON/OFF switches are accessible from the pedestal head by removing 2 bolts. Handle the pedestal head with care especially when removing its top cover as to make sure not to damage the wire harness connecting the top cover to the bottom part.

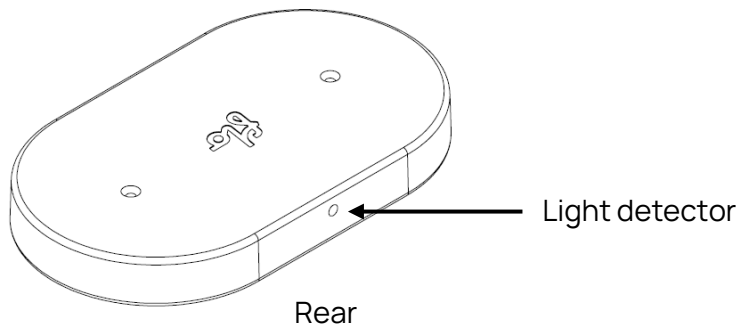
Behavior	Settings
Automatically illuminates when darkness is detected (default setting)	Lamp: ON Photocontrol: ON
Continuous Lighting	Lamp: ON Photocontrol: OFF
No Lighting	Lamp: OFF Photocontrol: OFF



For the lamp head bolts, please use a torque value of 1.5 ± 0.15 Nm

12. Power up the EV charger and pedestal by placing the breakers of both circuits at the ON position. Make sure the GFCI outlet, the LED lights and the charger are functional. If the LED lamp does not turn on, please reactivate the GFCI module by pressing the RESET button.

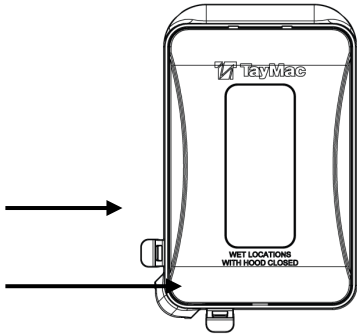
To test the photocontrol function, place a finger in front of the light detector for about 3 to 5 seconds.



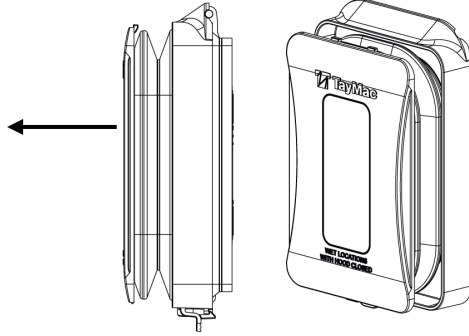
5.4 Waterproof Cover

Expandable design from 1" to 3" for in-use needs. The 3R rated receptacle offers weatherproof protection while an outlet is in use.

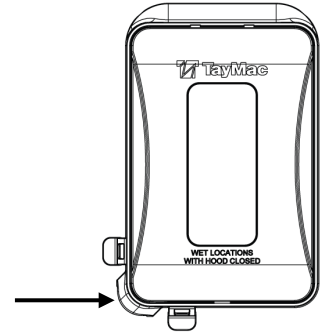
Access the outlet by lifting the 2 brackets



Once the device is plugged in, pull the cover while closing the receptacle



Redirect the device's power cable through the opening



Not in use



In Use



Cut away view

6. Service and Support

A customer experience or technical support representative is happy to assist!

Contact customer and technical support for any questions regarding charger installation, configuration or any technical problem:

<https://www.flo.com/support/>

service@flo.com

1-855-543-8356

6.1 Locating the Pedestal Serial Number

When contacting the customer or technical support, please have your pedestal's serial number ready to provide to customer or technical support.

The serial number is located at the rear of the pedestal as per the image below.



6.2 Cleaning

FLO recommends wiping the surfaces with a neutral cleaning agent (pH 6 to 8) such as water and a soft cloth (non-woven nylon hand pad).

NOTE: DO NOT USE HARSH CHEMICALS FOR CLEANING.

7. Limited Warranty for Specific Complementary Products

Terms of the warranty can be found in a separate document available on the FLO.com website, under 'Products' and 'FLO Home'.

8. Copyright and Liability

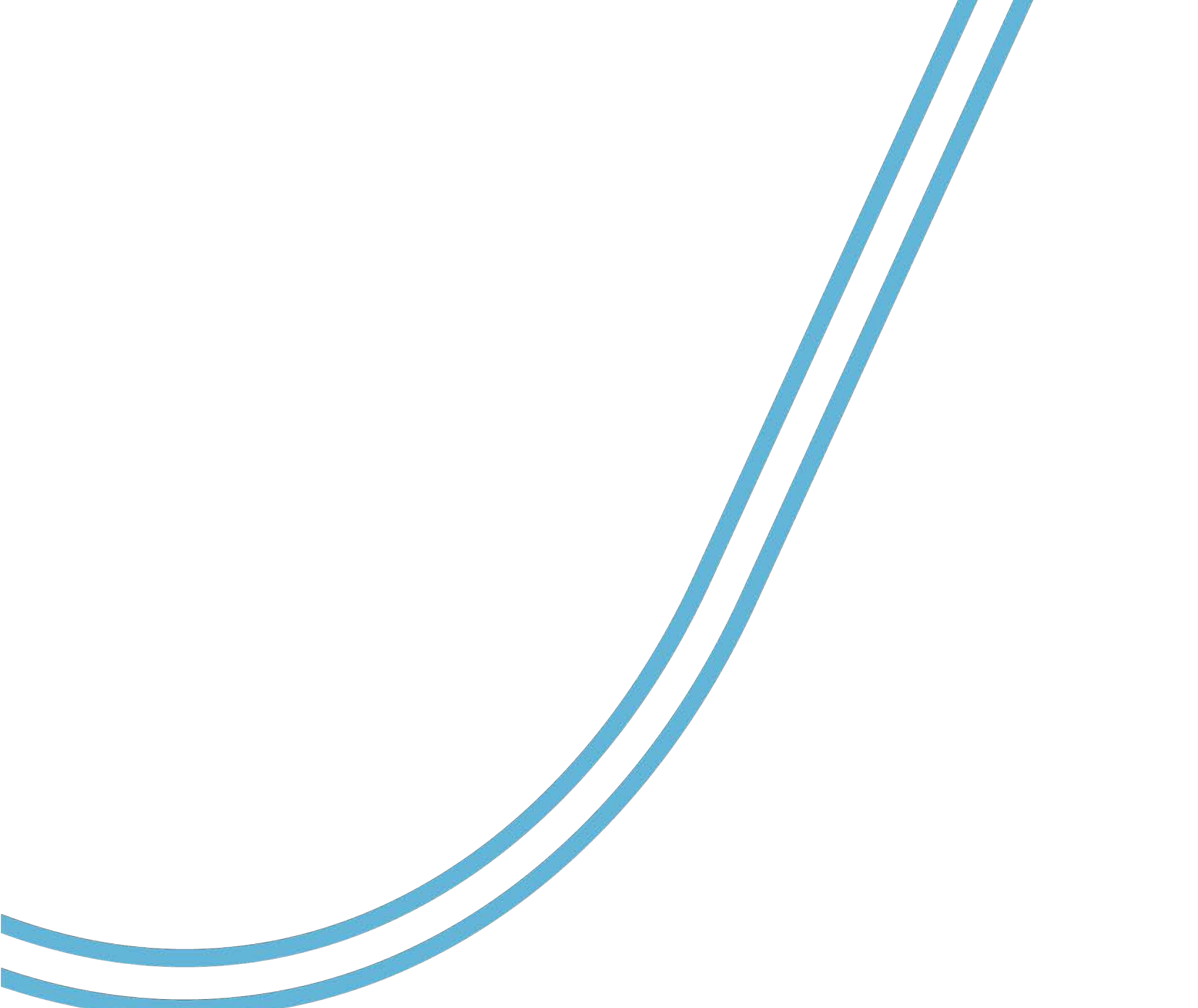
Document Name: Premium Residential Pedestal_Installation Guide_V.1.0.0_2025-06-10_CA_US_EN

Document ID: PRFM0144

FLO CA: © 2025 Services FLO Inc. All rights reserved. FLO, the FLO logo, and FLO HOME are trademarks of Services FLO Inc.

FLO US: © 2025 FLO Services USA Inc. dba FLO Charging Solutions USA Inc. in California. All rights reserved. FLO, the FLO logo, and FLO HOME are trademarks of Services FLO Inc. used under license by FLO Services USA Inc.

ALL regions: This document is provided as a general instruction guide. All pictures shown are for illustration purposes only. Actual stations may vary in size or due to product enhancements, in which case additional steps may be required. AddÉnergie Technologies Inc. (dba FLO) and its subsidiaries ("FLO") reserve the right to alter this document and any product offerings and specifications at any time without notice and FLO does not guarantee that that this version of the document is current. It is your responsibility to comply with all applicable laws, including those related to accessibility, zoning, and to exercise due diligence when conducting an installation or using this product. Careless installation or use may result in injury or product damage. To fullest extent permitted by applicable laws, FLO disclaims any liability for personal injury or property damage resulting from the installation or use of this product.



Learn more
info@flo.com
1 (855) 543-8356
flo.com